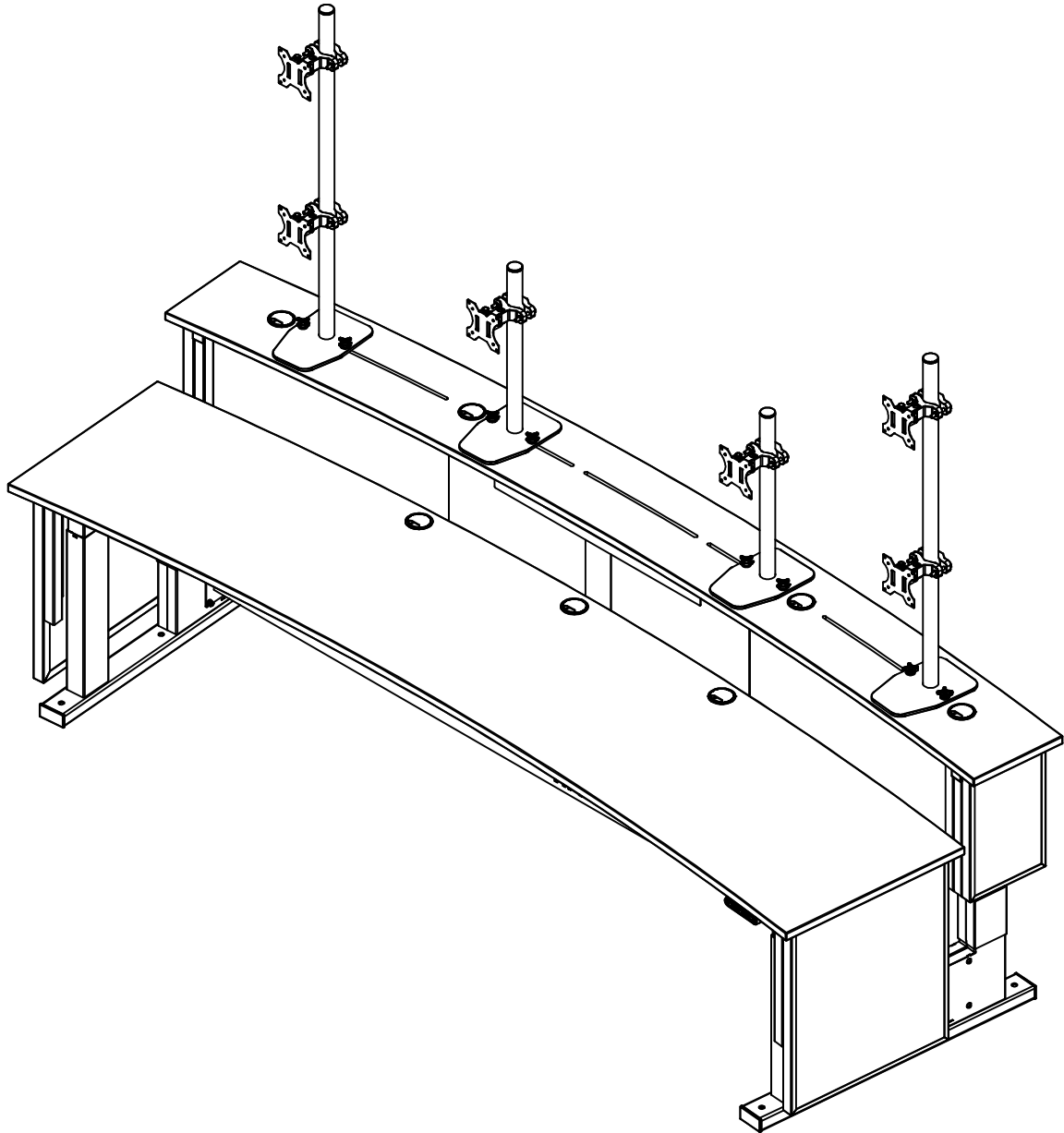
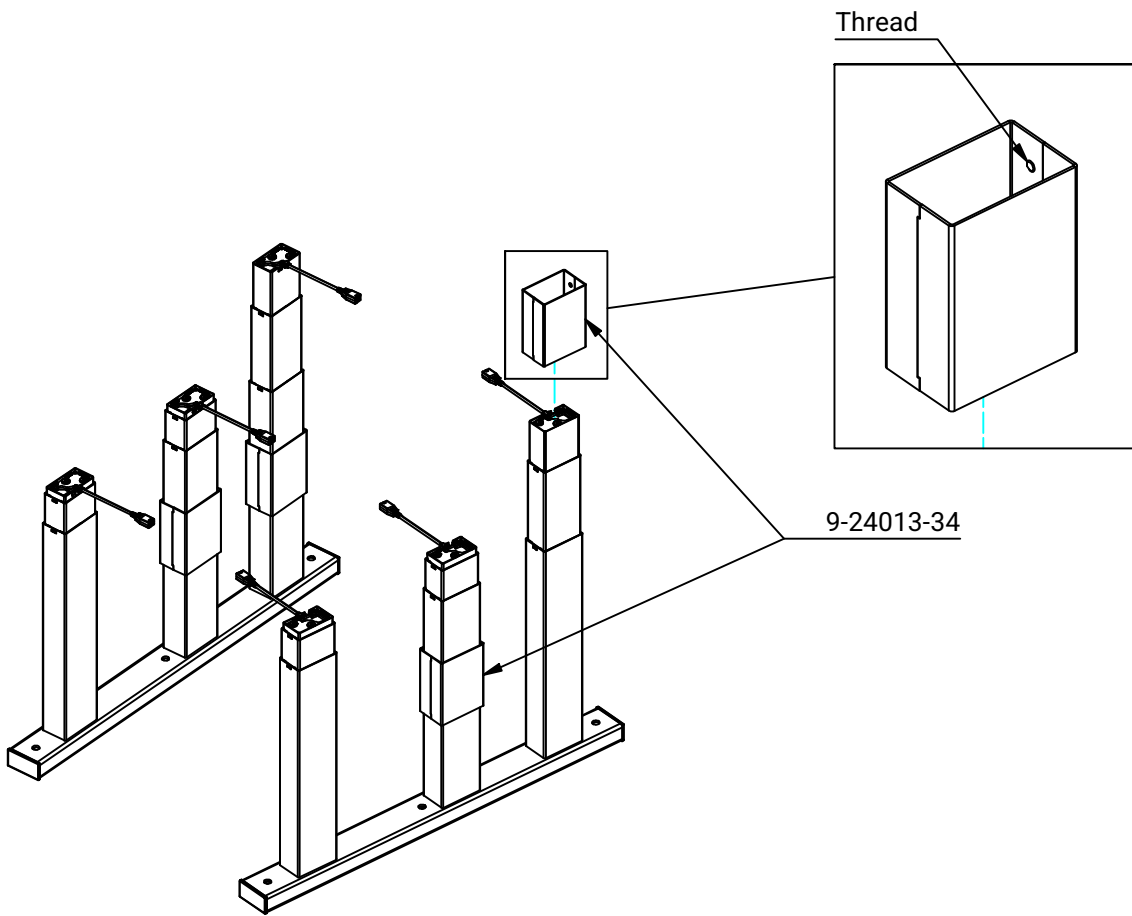
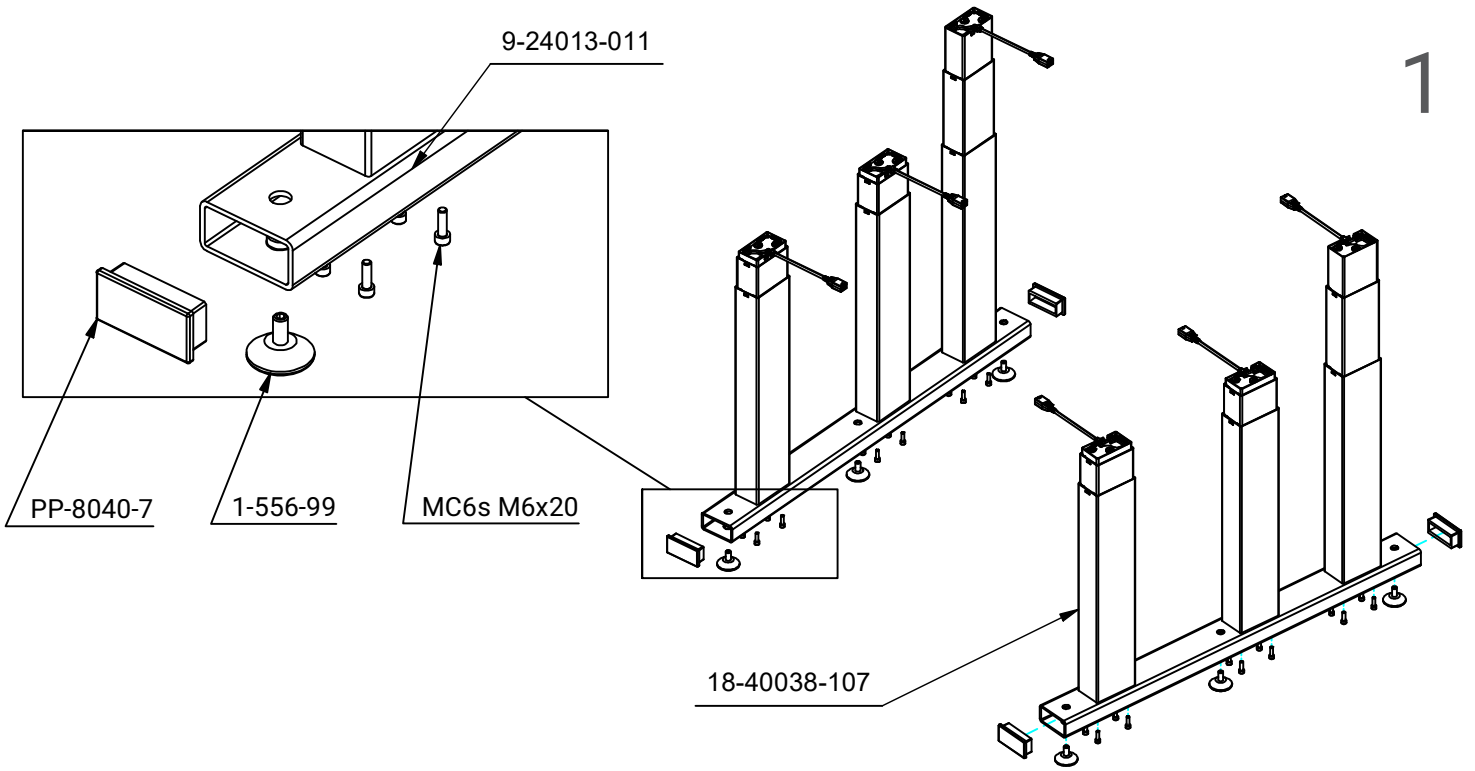


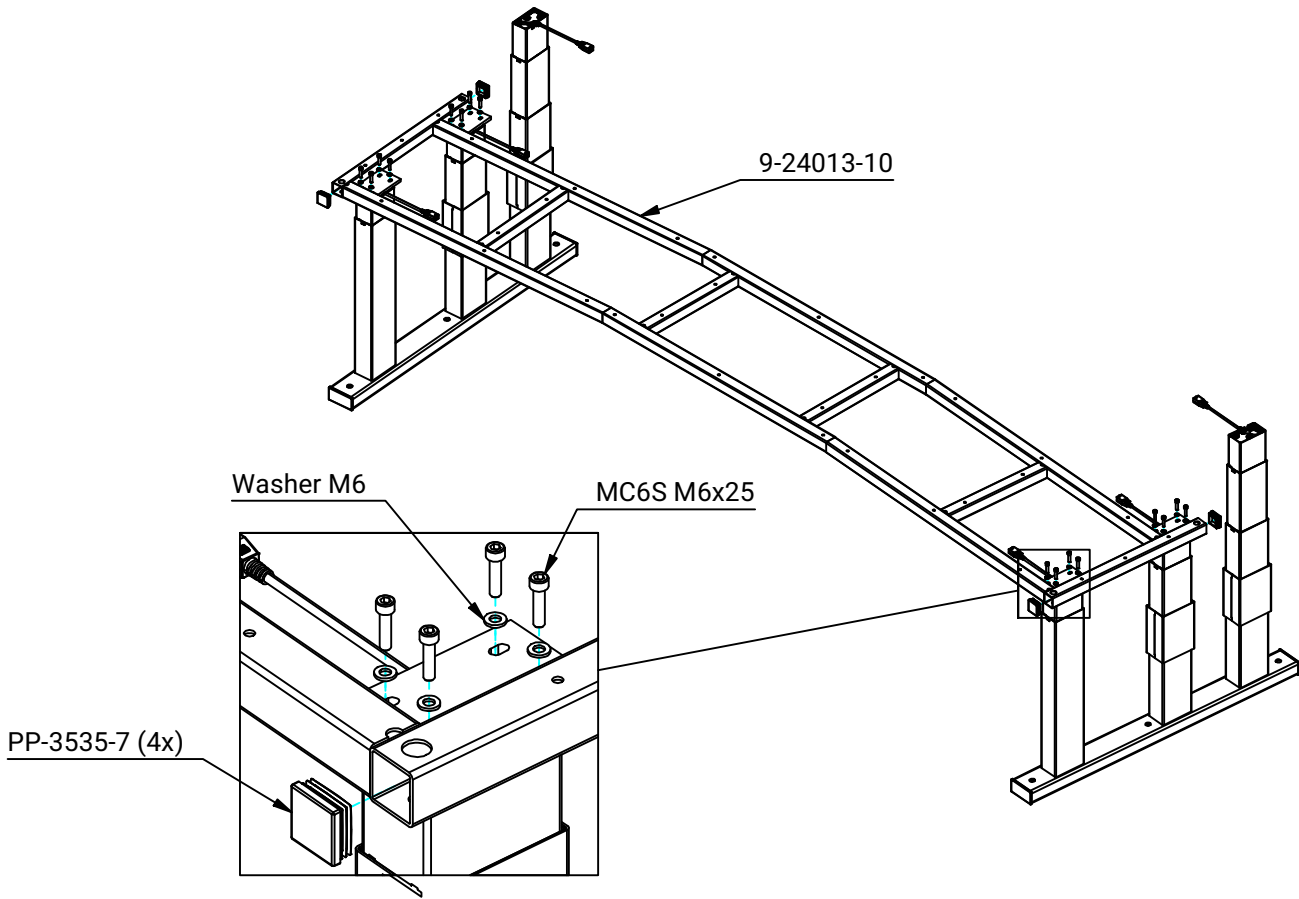
9- 25019

Control Room Workstation 3000x930

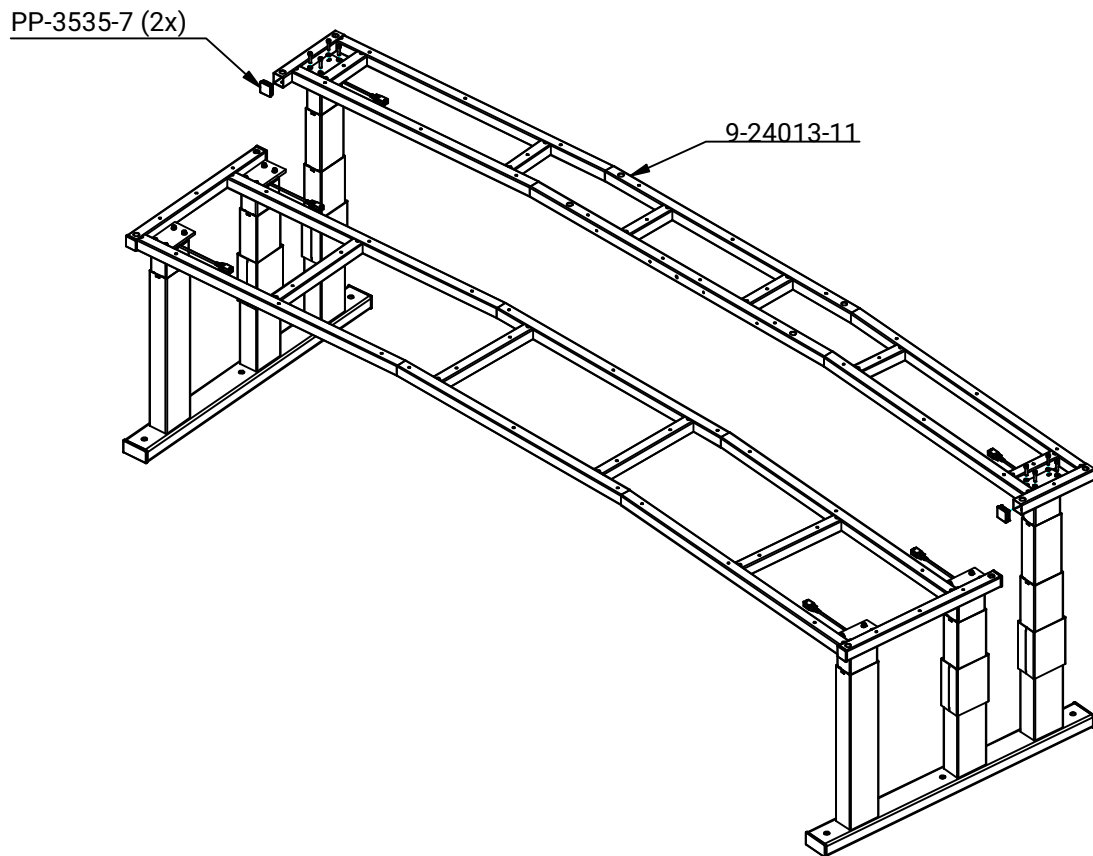


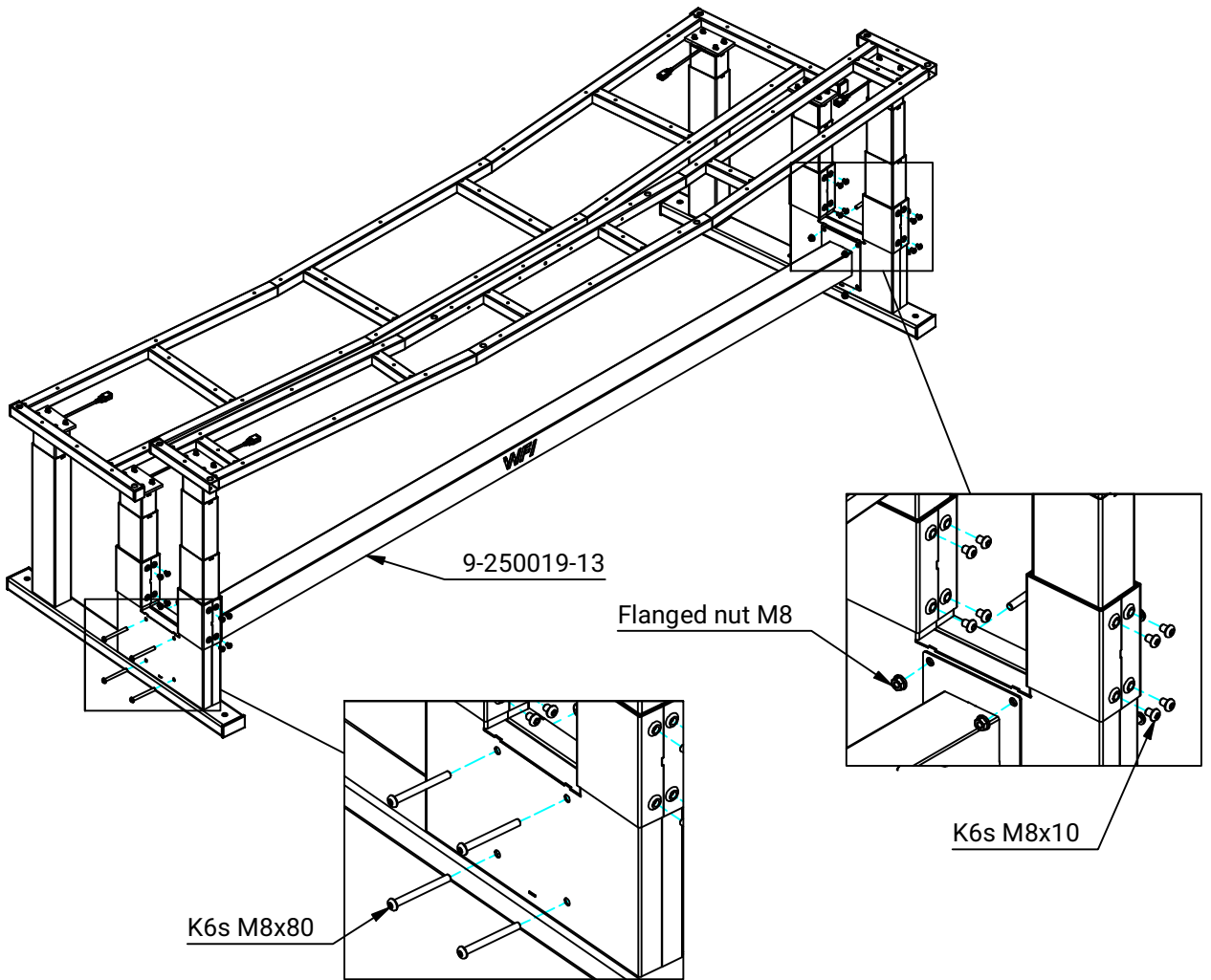
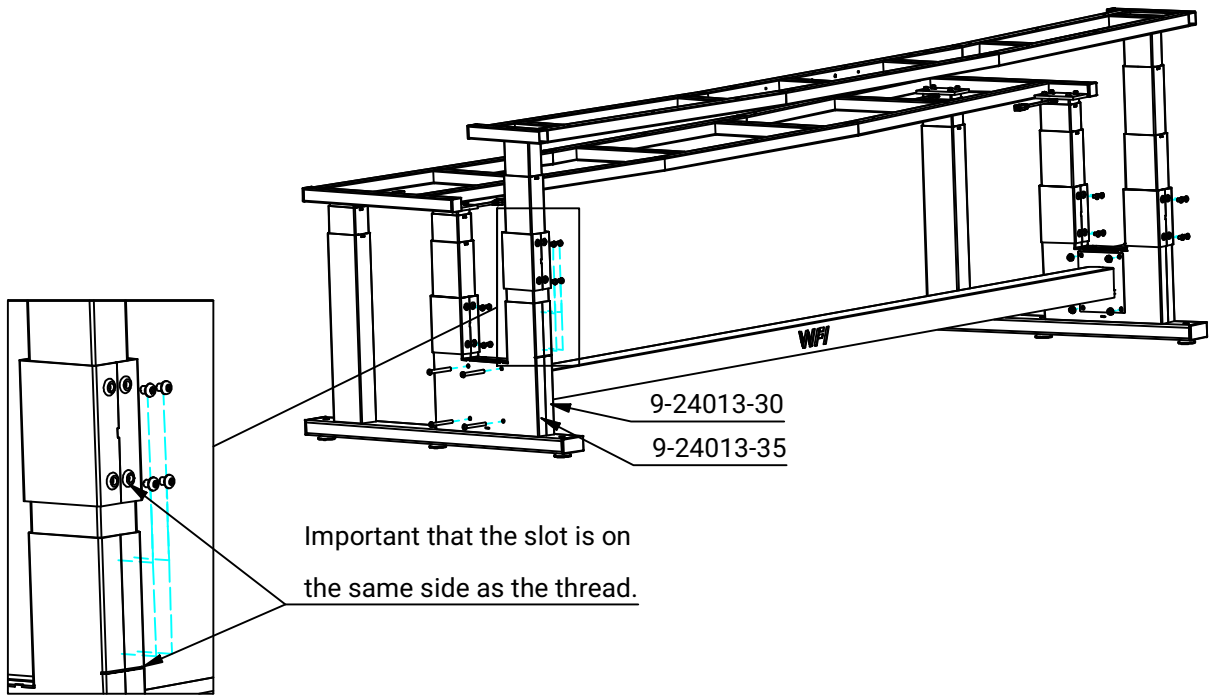


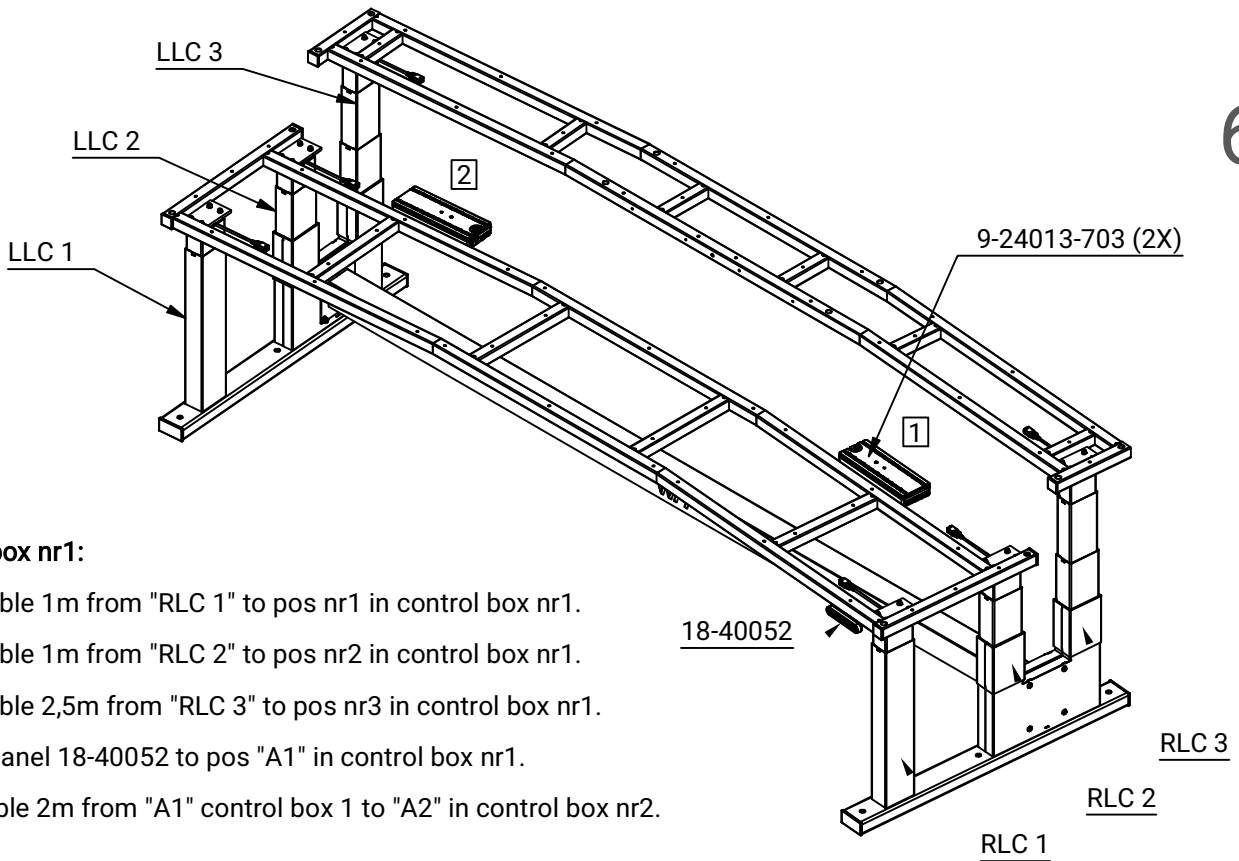
3



4







Control box nr1:

- Motor cable 1m from "RLC 1" to pos nr1 in control box nr1.
- Motor cable 1m from "RLC 2" to pos nr2 in control box nr1.
- Motor cable 2,5m from "RLC 3" to pos nr3 in control box nr1.
- Control panel 18-40052 to pos "A1" in control box nr1.
- Serial cable 2m from "A1" control box 1 to "A2" in control box nr2.

Control box nr2:

- Motor cable 1m from "LLC 1" to pos nr1 in control box nr2.
- Motor cable 1m from "LLC2" to pos nr2 in control box nr2.
- Motor cable 2,5m from "LLC3" to pos nr3 in control box nr2.

Power cable 220v to "AC" on control box 1 & 2 in the last step.

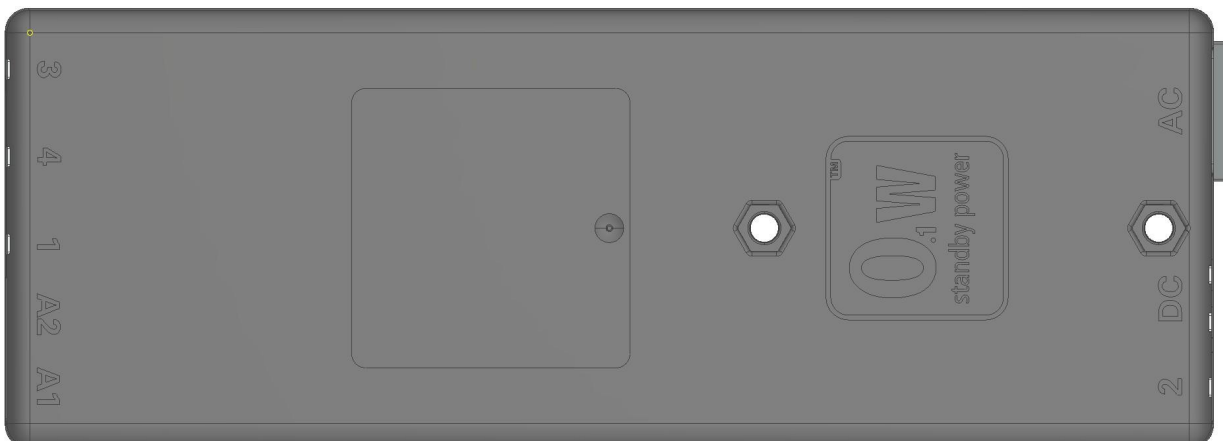
Push and hold the down-button (the left) until the table reaches it's lowest position.

Release the down-button and then push and hold it once again until you can hear a **clicking sound** from the control unit.

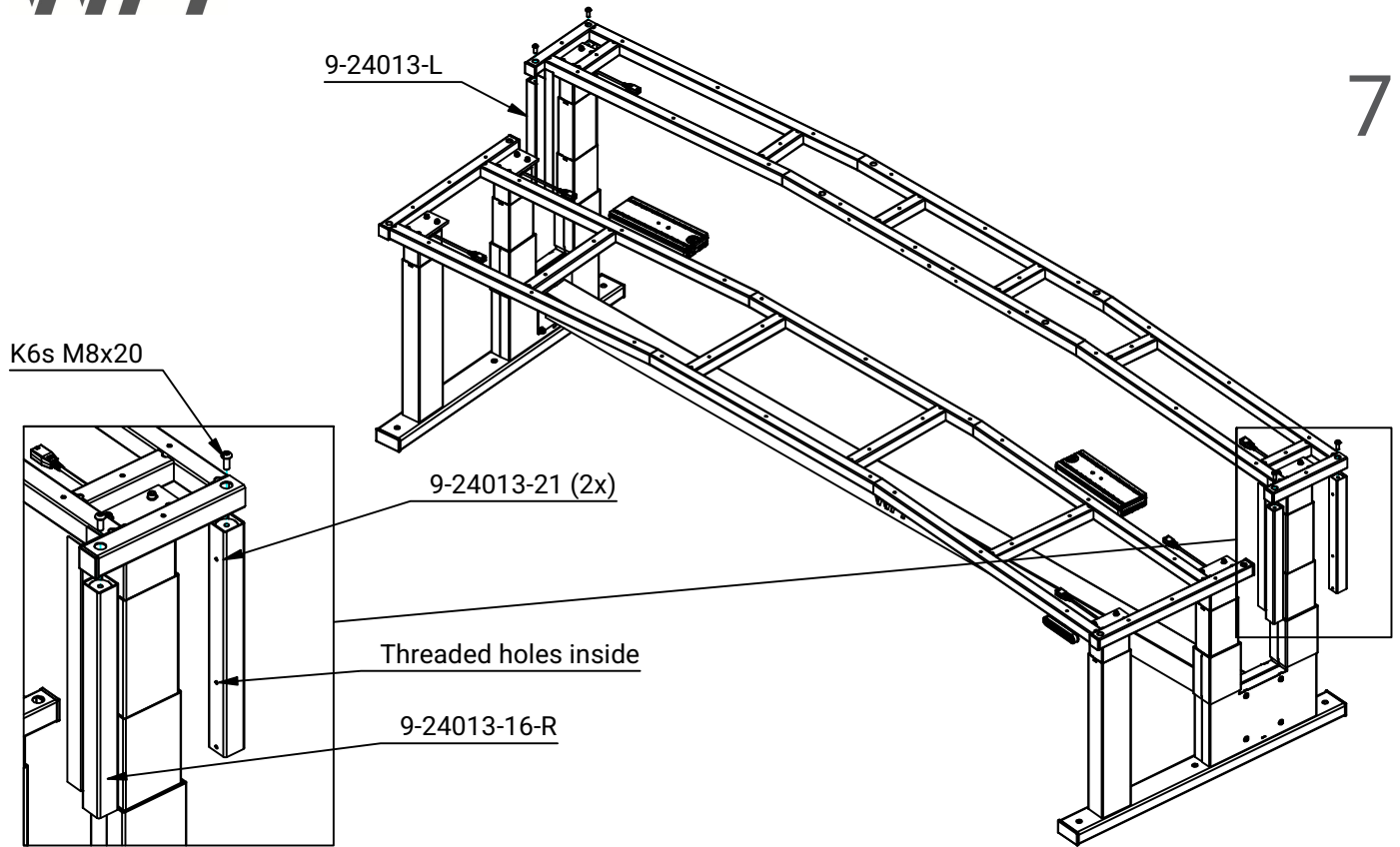
Make sure the table has a minimum height of 675 mm and maximum height of 1075 mm before proceeding!



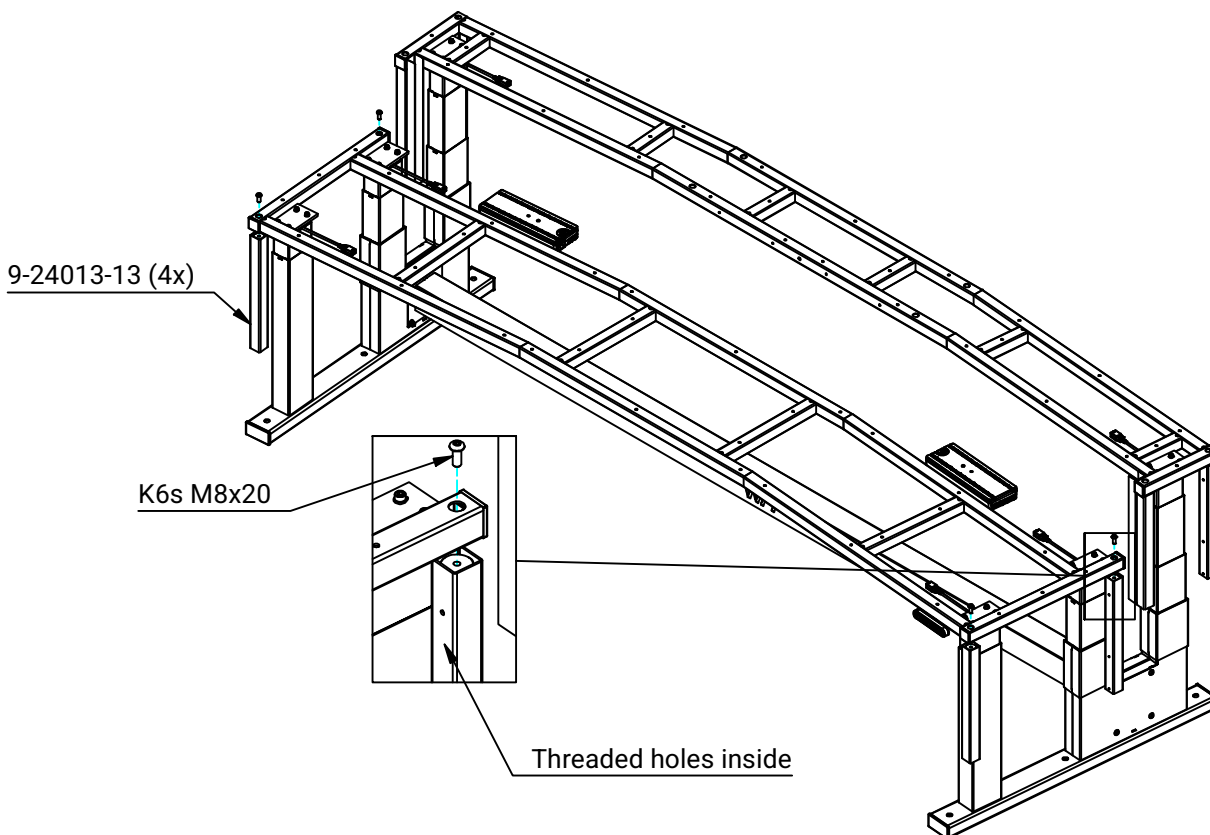
Table together First table Second table

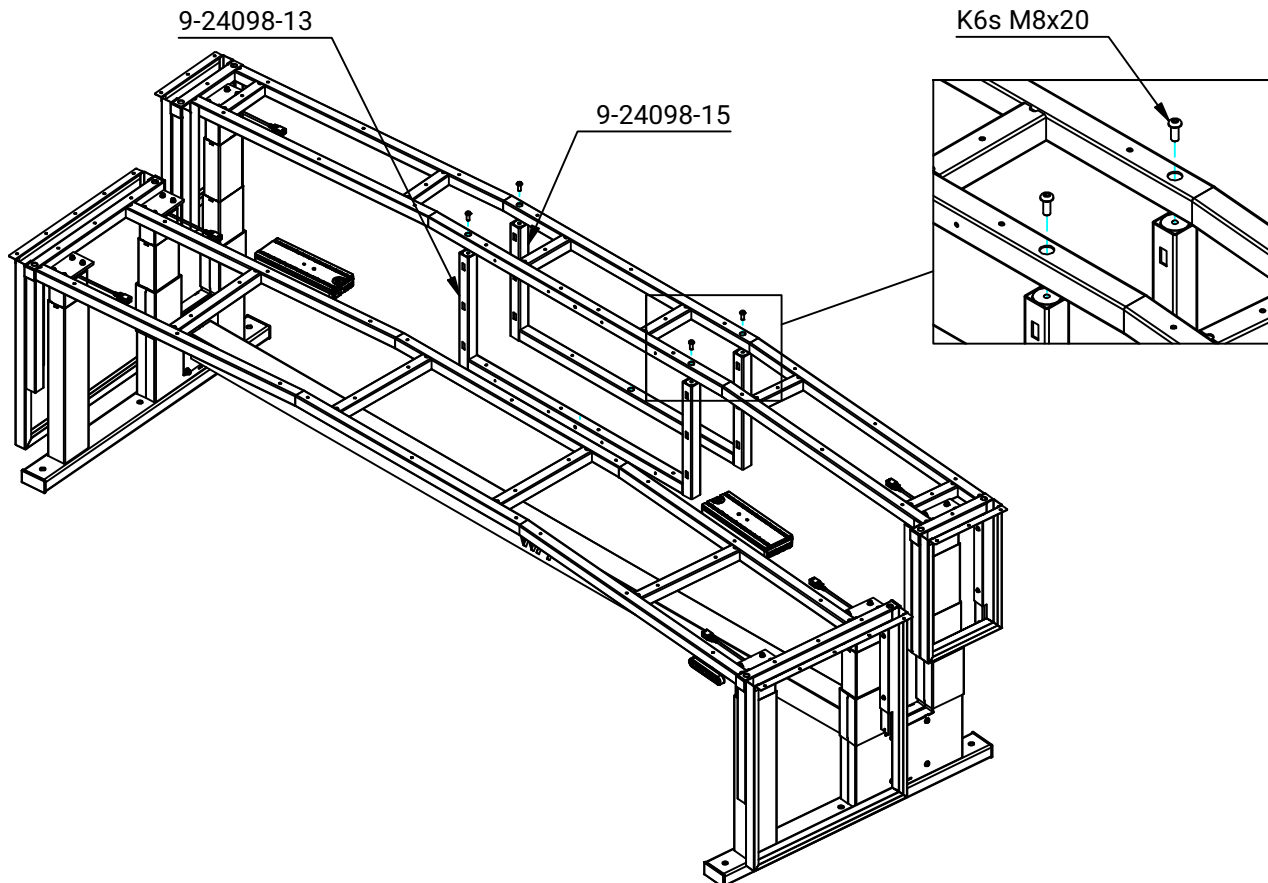
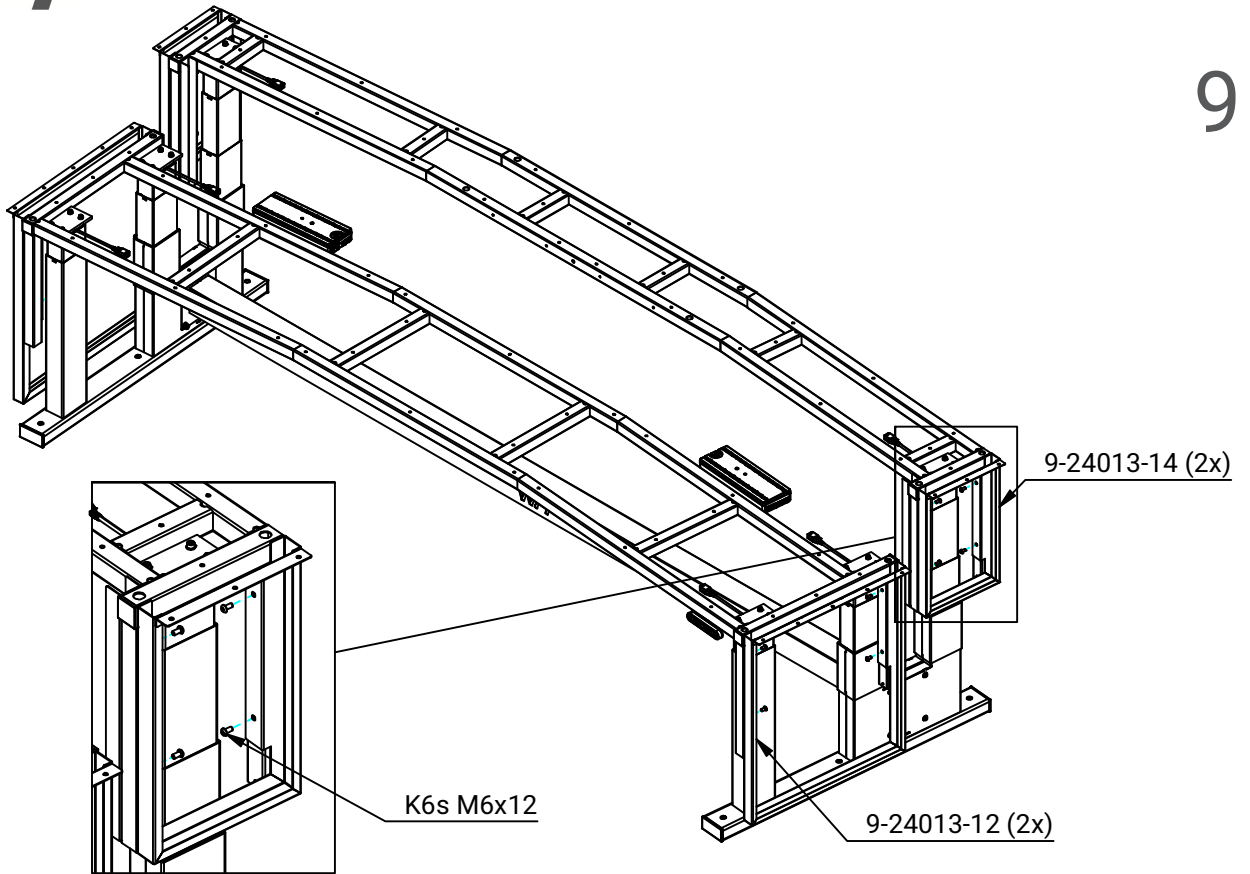


7

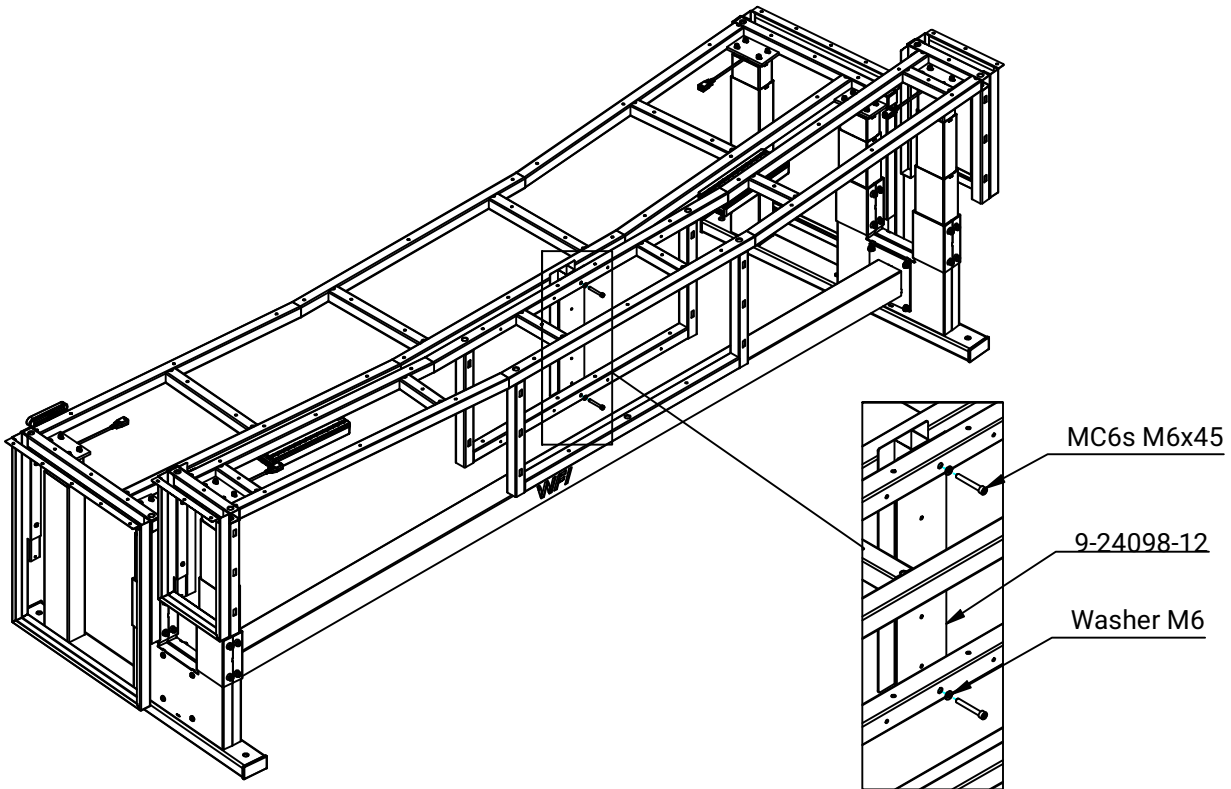


8

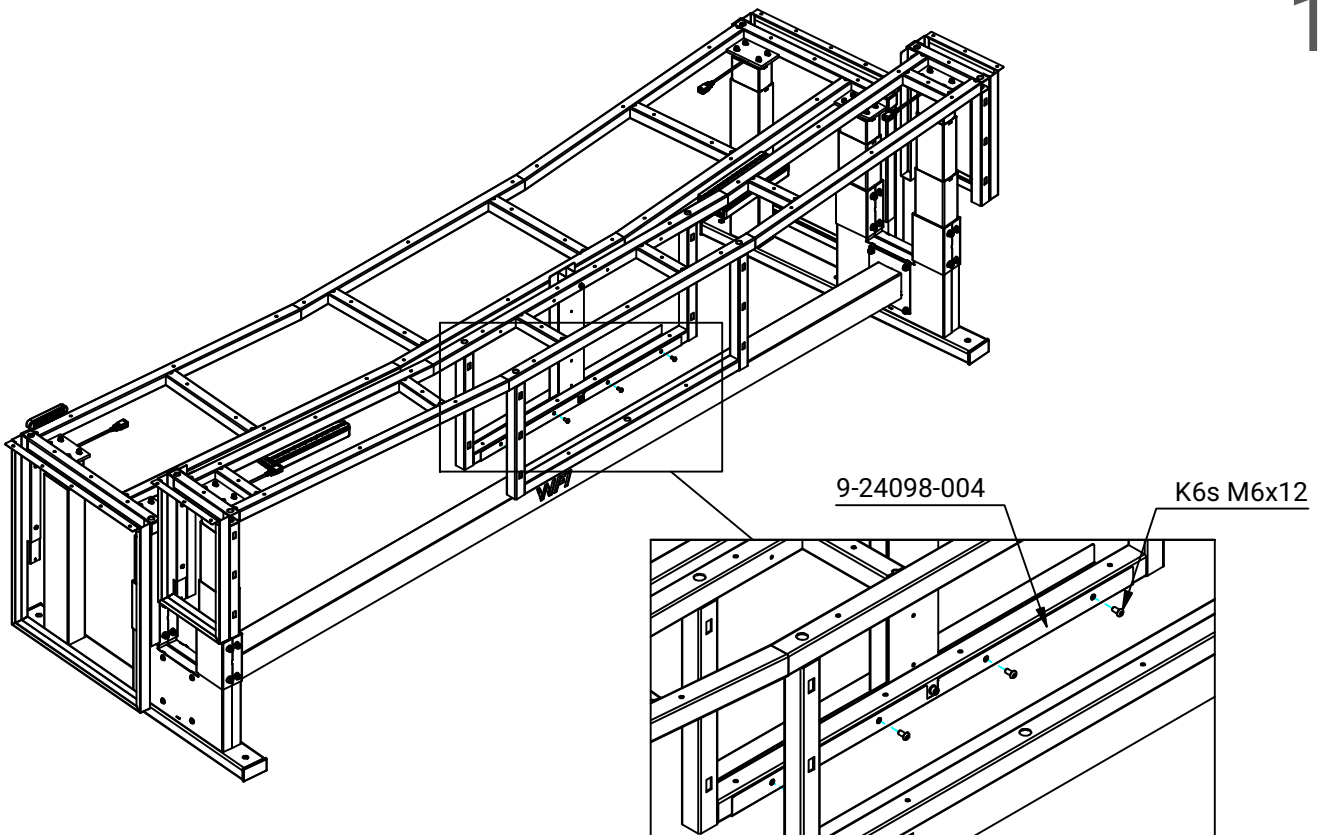




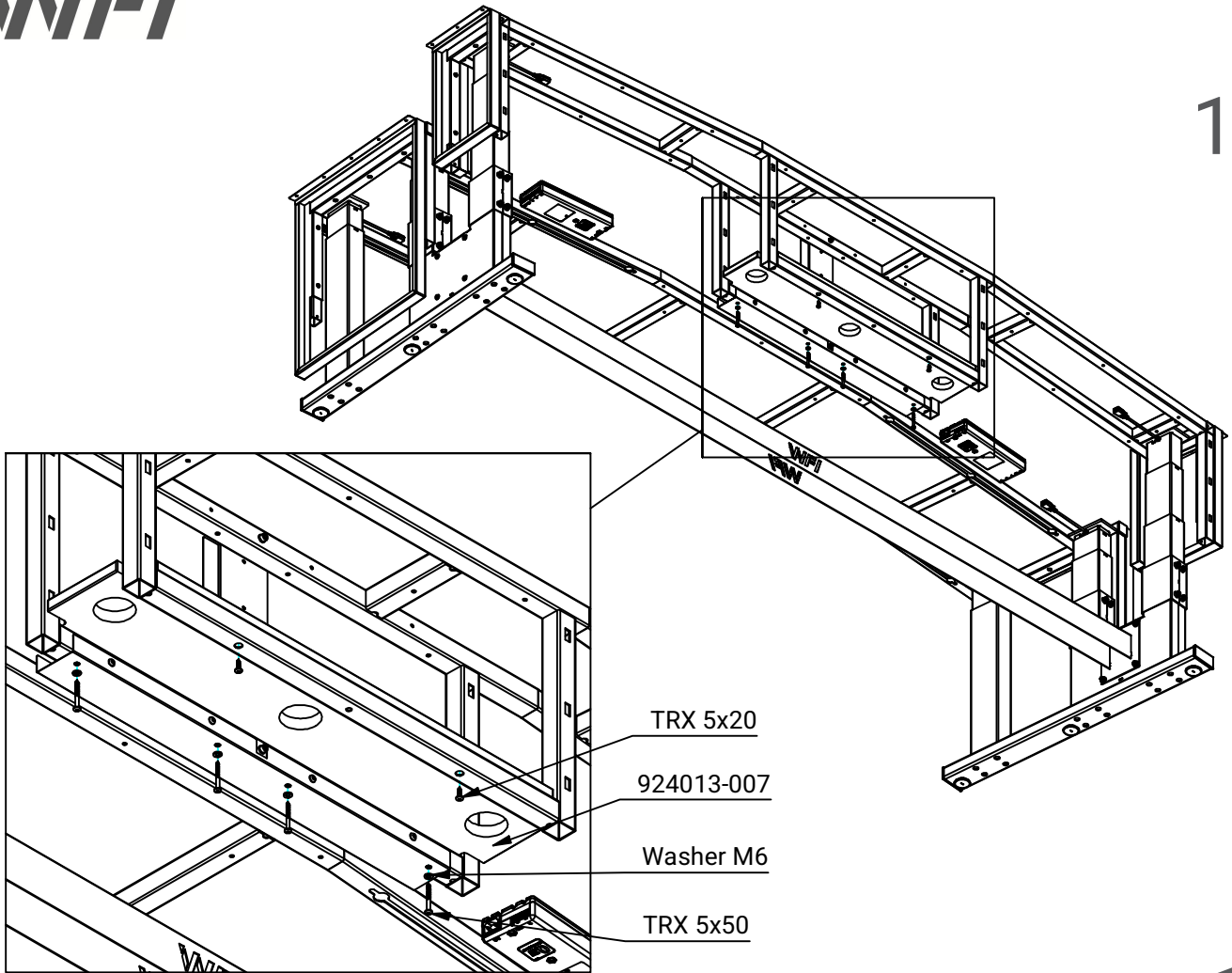
11



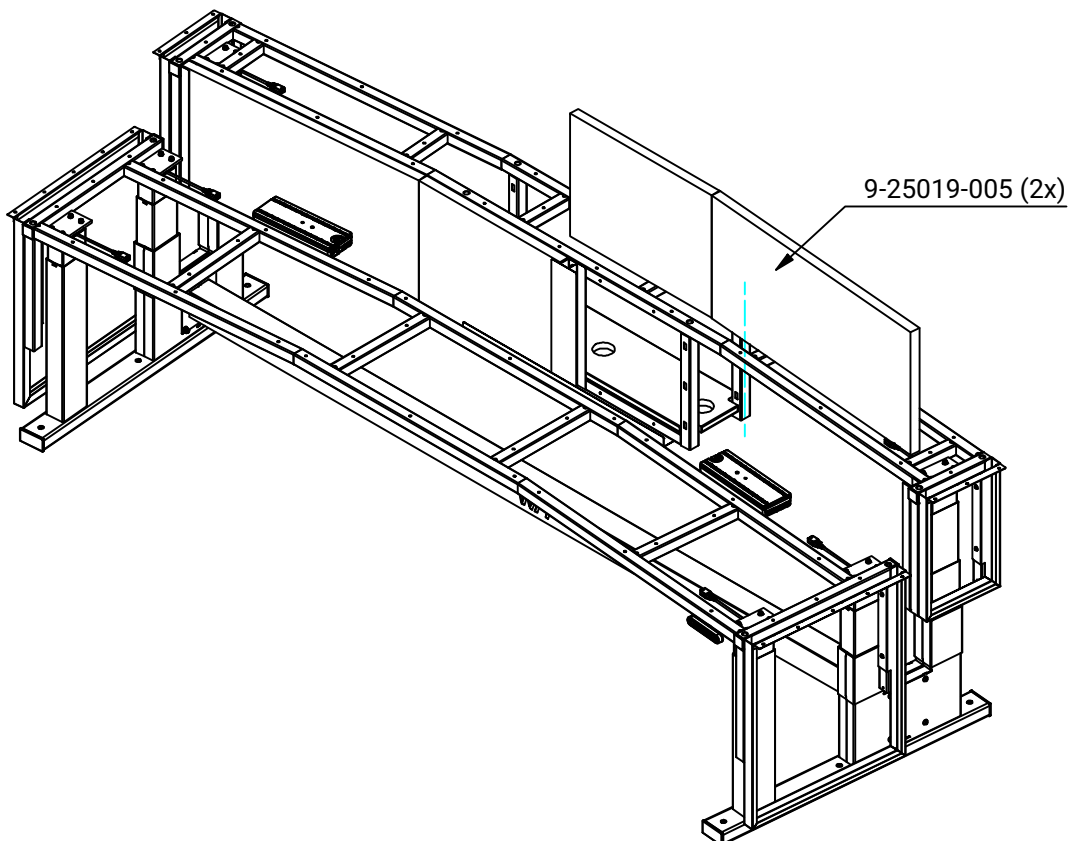
12

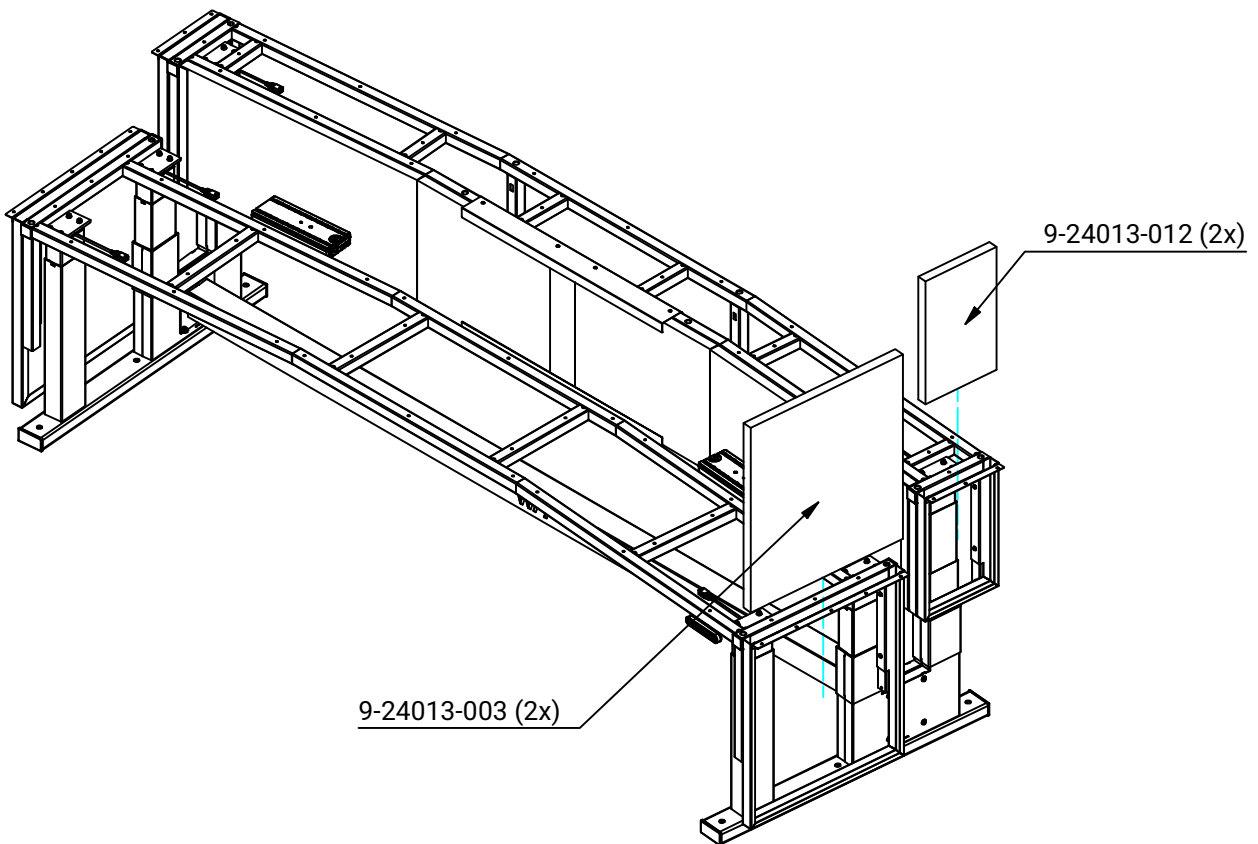
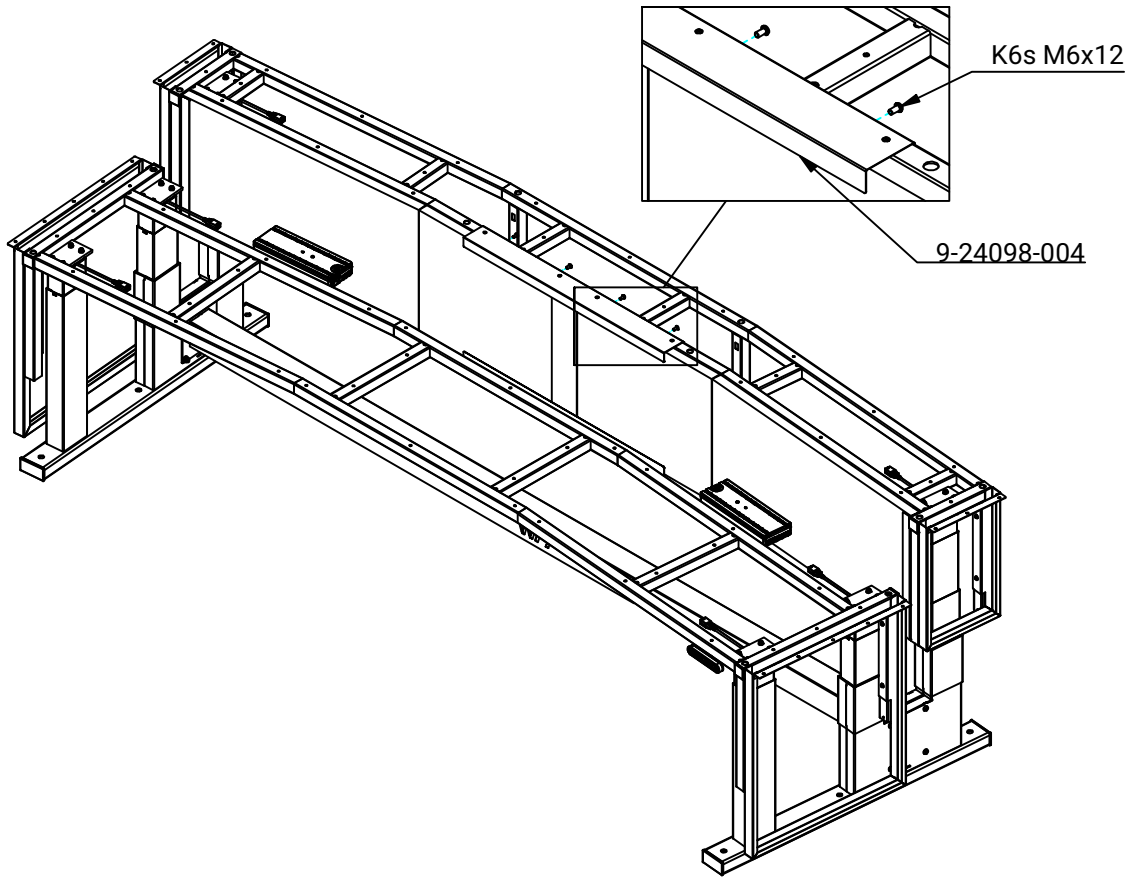


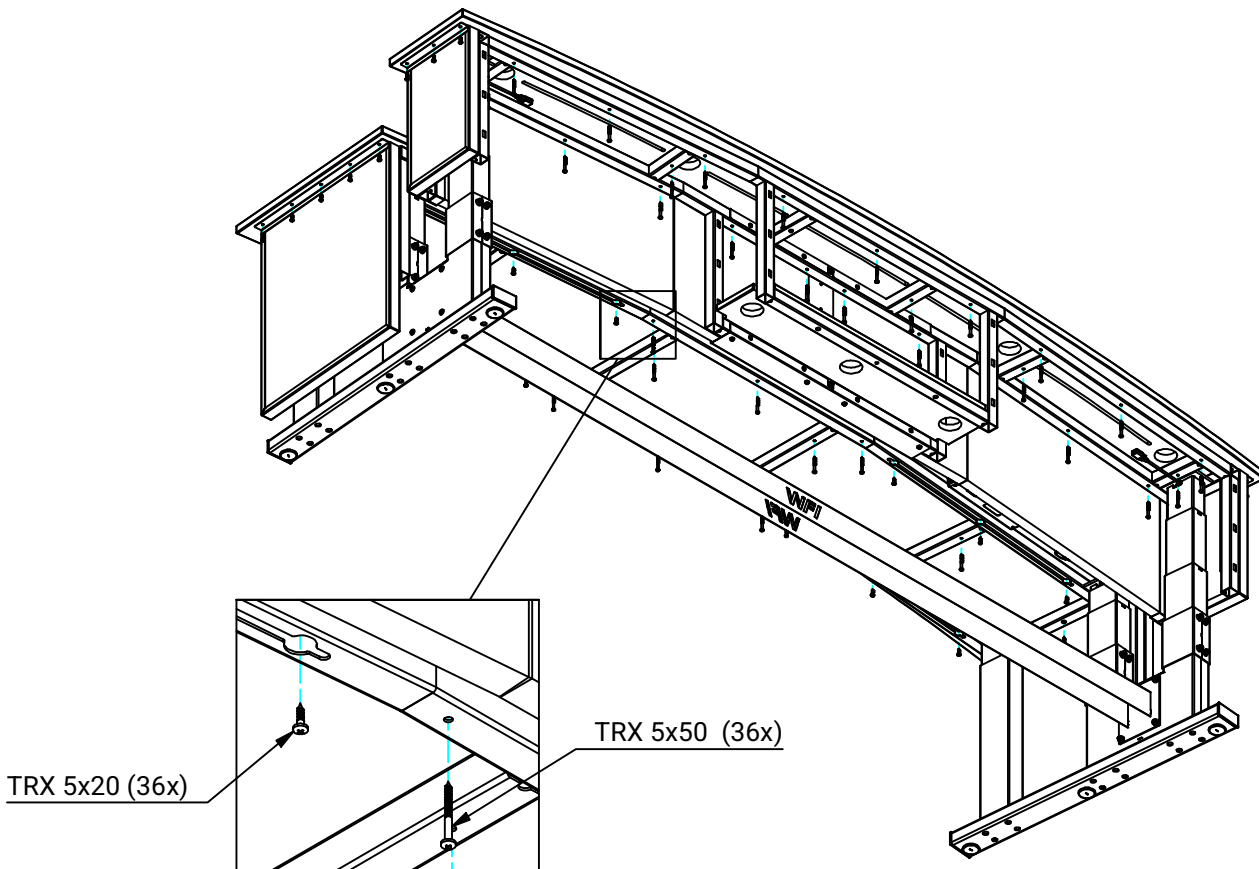
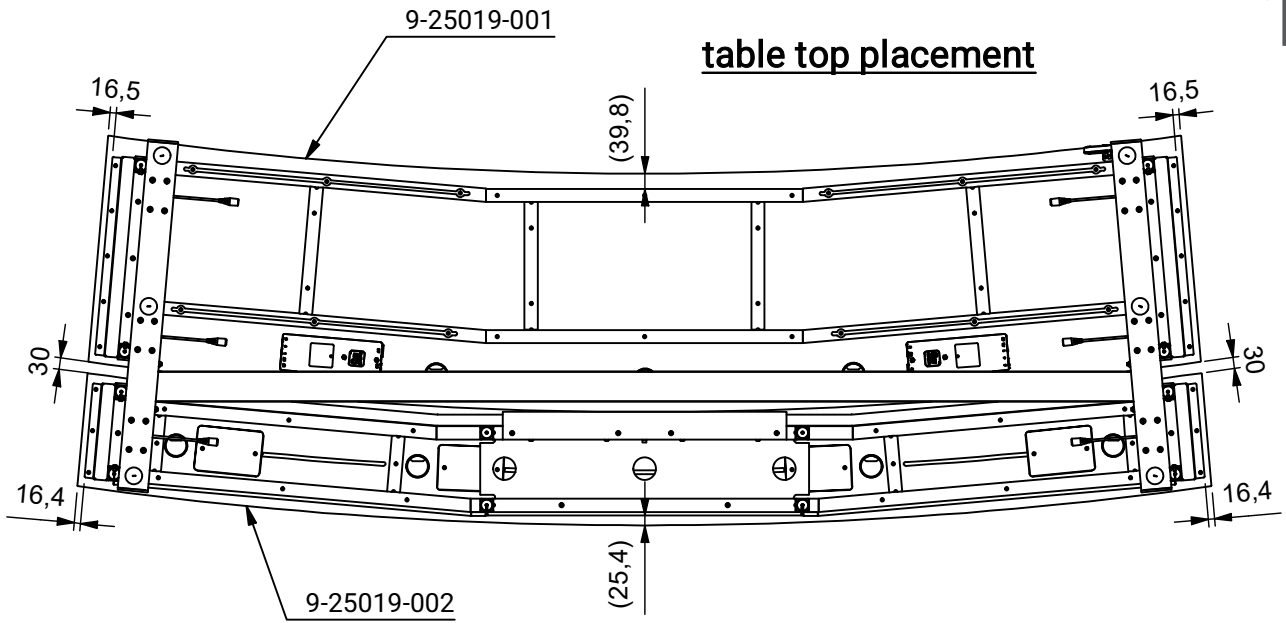
13

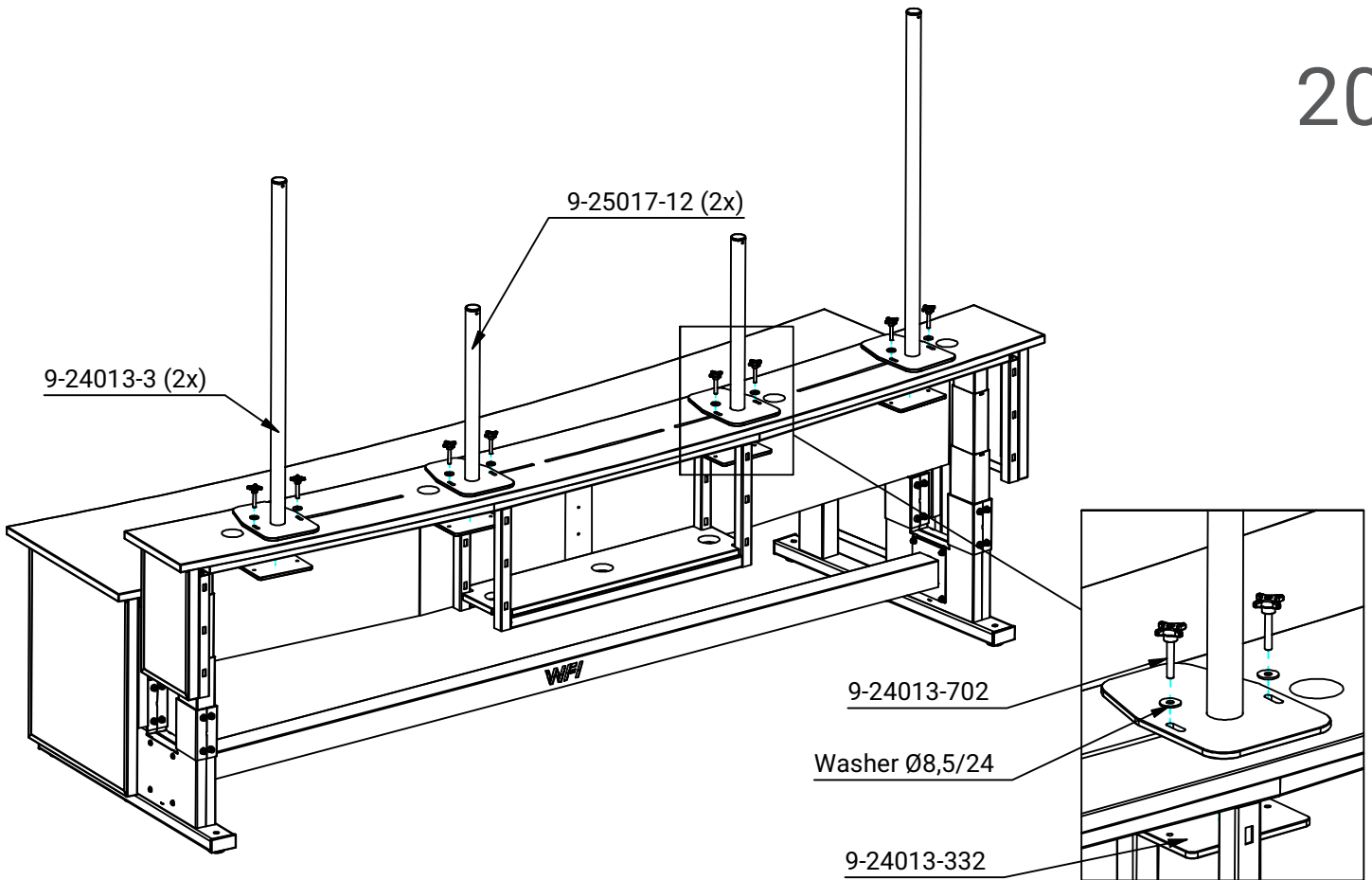
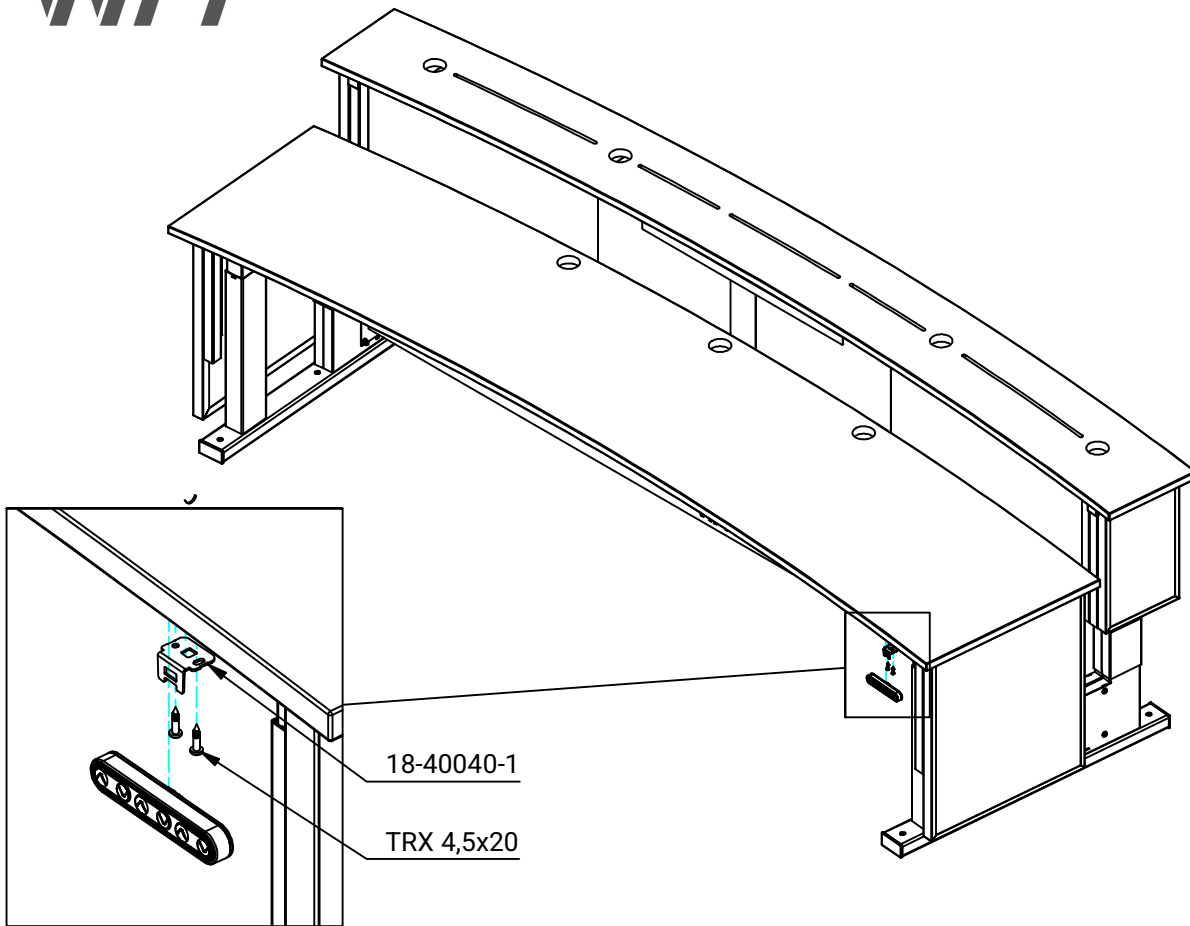


14

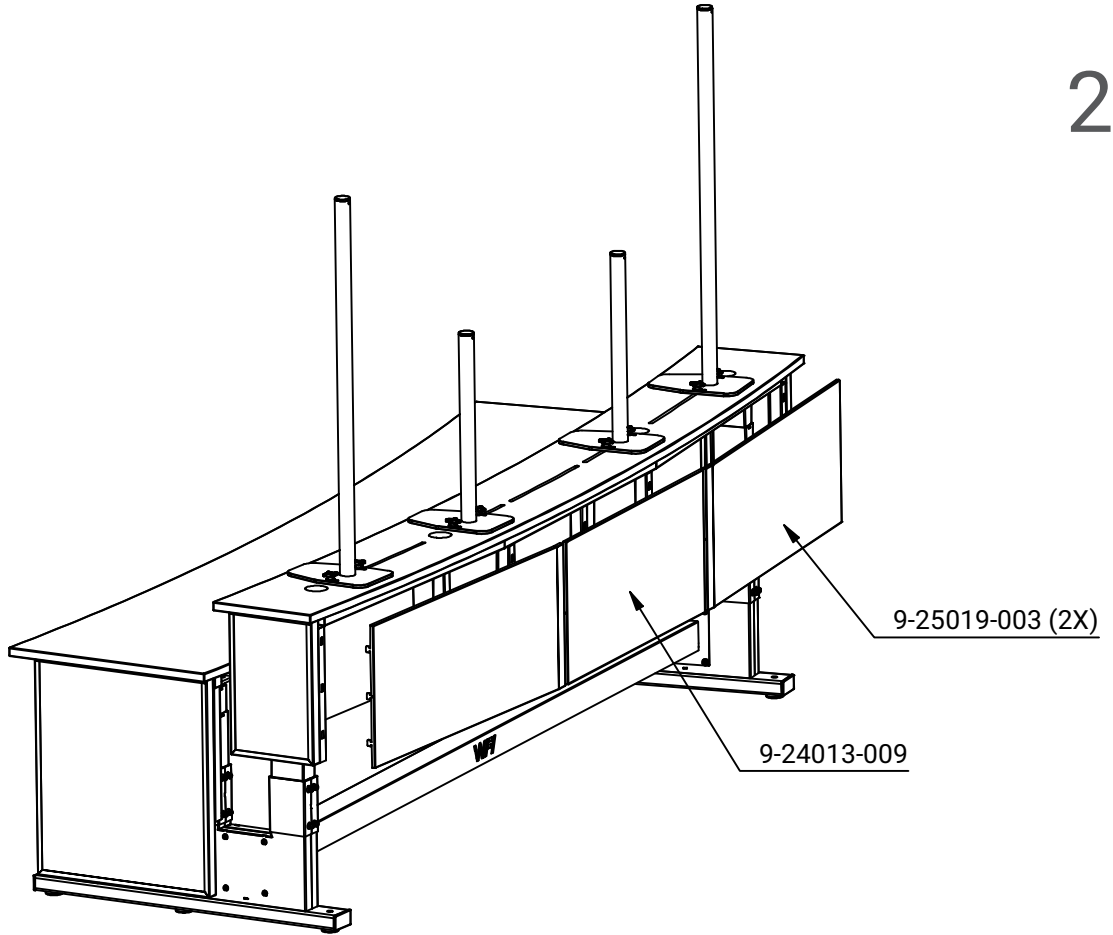








21



22

