

PACKING LIST

| Frame | pcs |
|---------------------------------|-----|
| Inner desk frame | 1 |
| Outer desk frame | 1 |
| Cable clamp | 2 |
| Hole cap | 4 |
| Column | 2 |
| End pipe | 2 |
| Feet | 2 |
| Control box / Hand control | pcs |
| Control box | 1 |
| Hand control | 1 |
| AC cable | 1 |
| Screw and wrench | pcs |
| Screw for motor house, M6x12mm | 8 |
| Screw for feet, M6x16mm | 8 |
| Screw for hand control, Ø4x22mm | 2 |
| Screw for tabletop, Ø5x20mm | 20 |
| Hexagonal wrench, 5mm | 1 |

Tightening torque

| | |
|-----------------------------|--------------|
| Screw for motor house | Maximum 6Nm |
| Screw for feet and tabletop | Maximum 10Nm |
| Screw for hand control | < 6Nm |

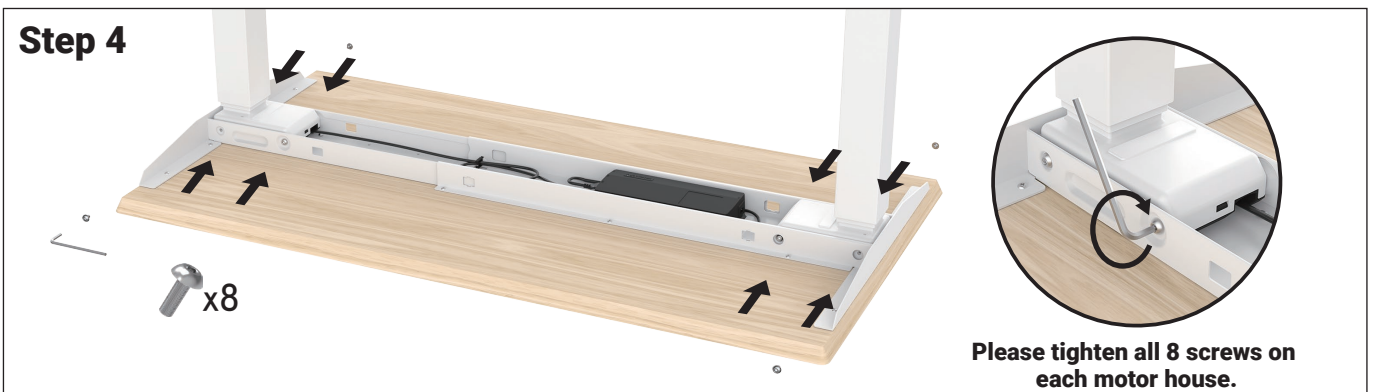
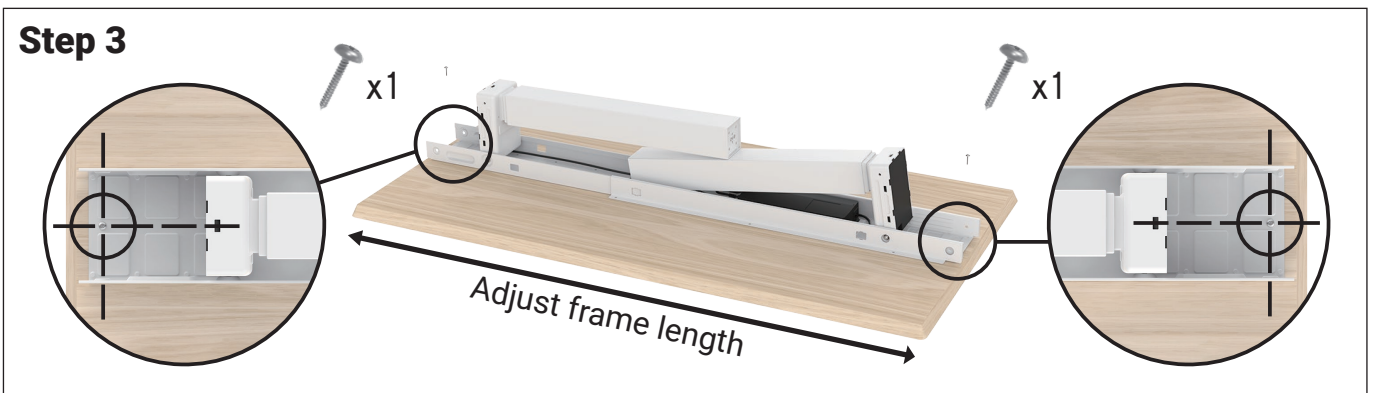
Make sure all screws are tightened, also after a period of use!

Reset the desk before use

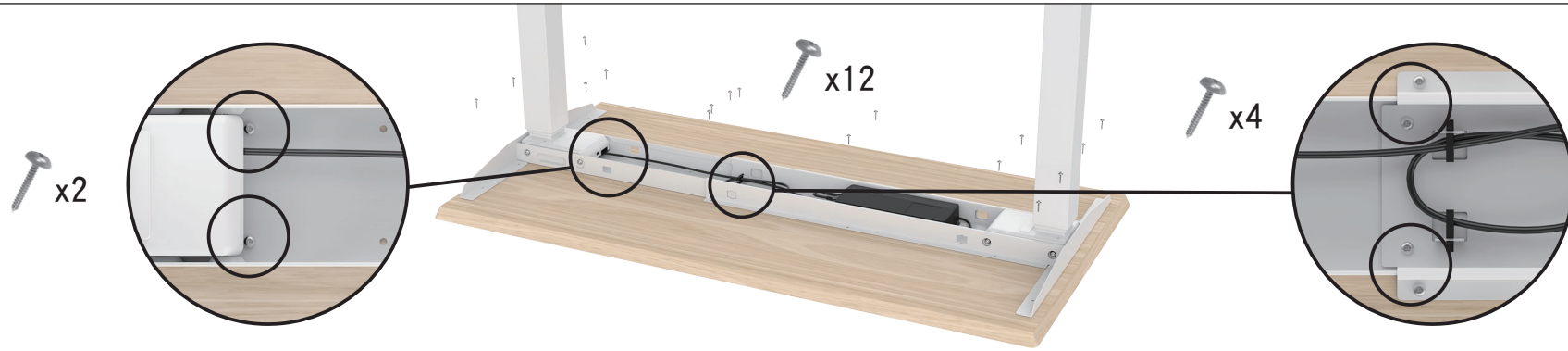
Press both up and down buttons at the same time for 3 seconds. Continue pressing the buttons until both columns are in lowest position. When finish reset, the control box makes a sound and the buttons can be released. Now the system is operational.

WARNING

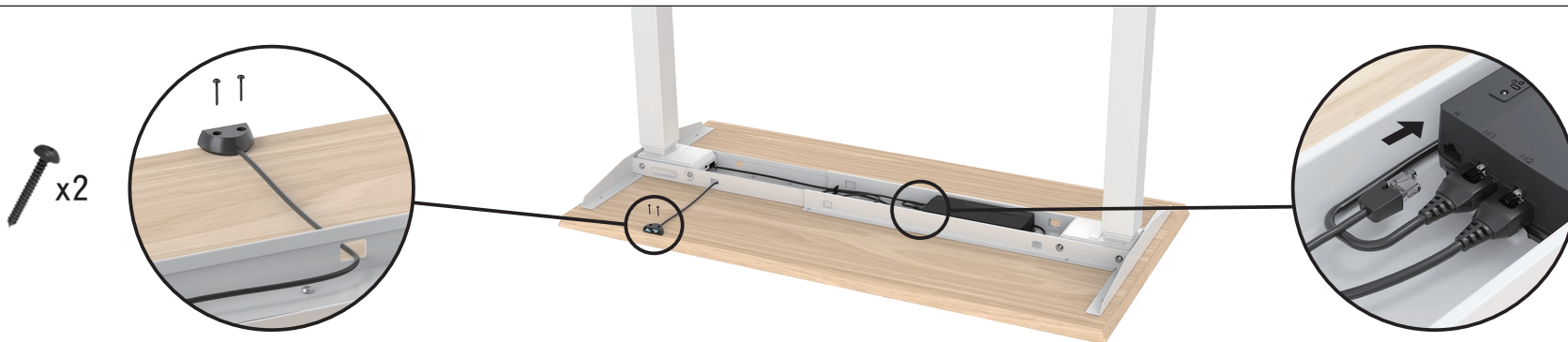
Carefully arrange all the cables not to be damaged by tabletop screws.



Step 5



Step 6



Step 7

