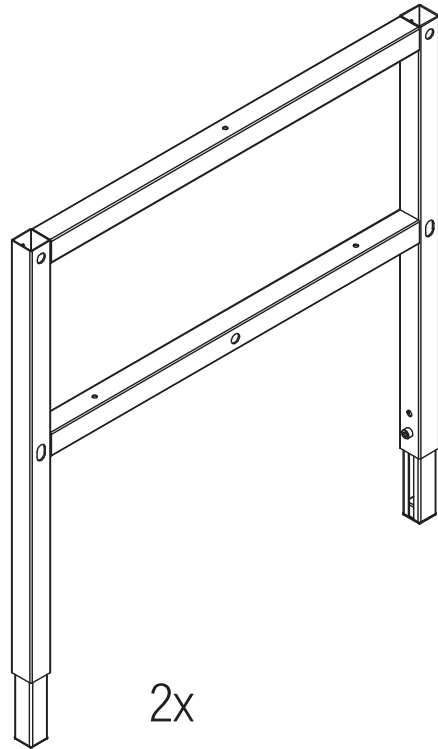


1x

3x



2x



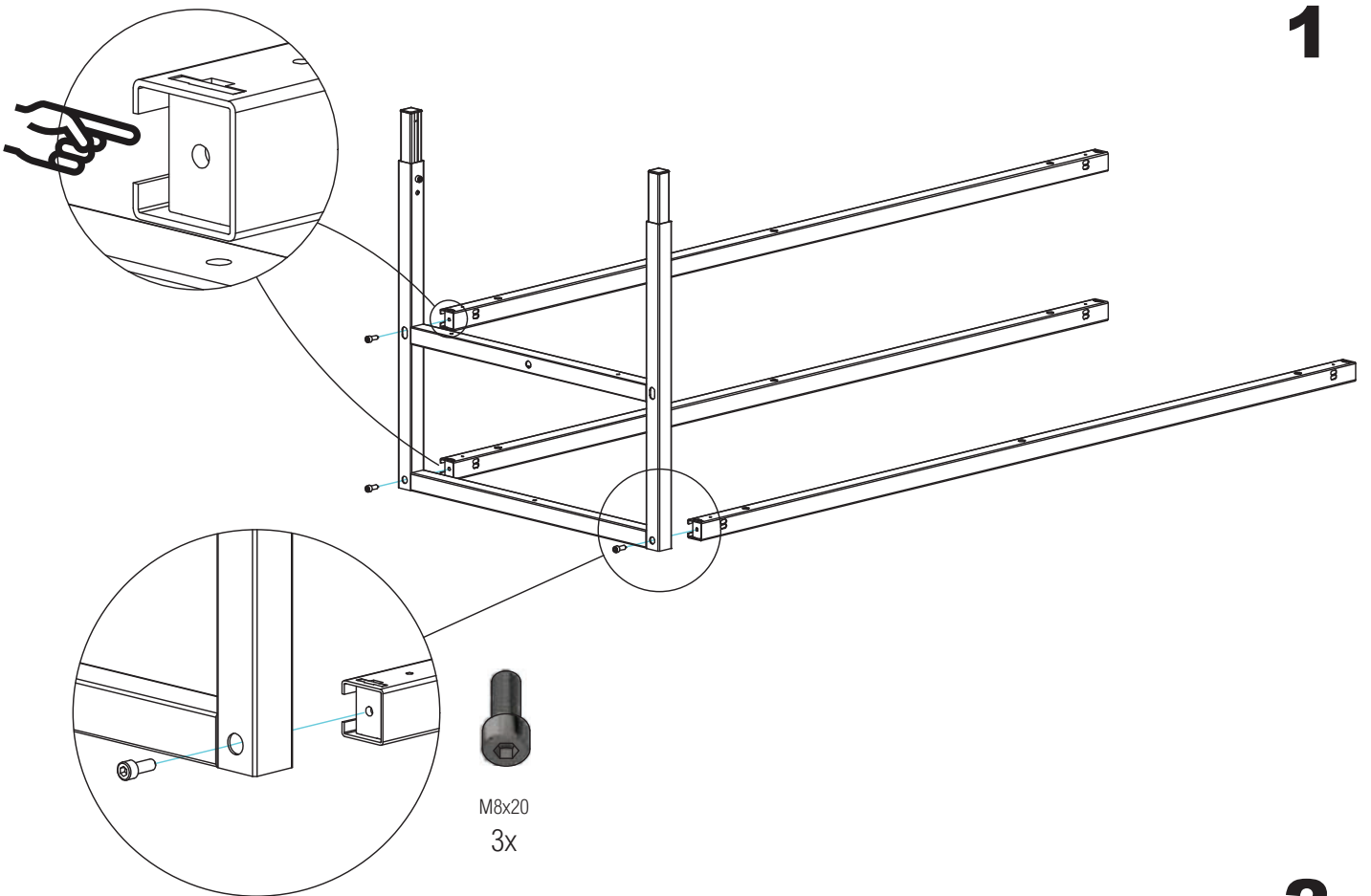
M8x20  
6x



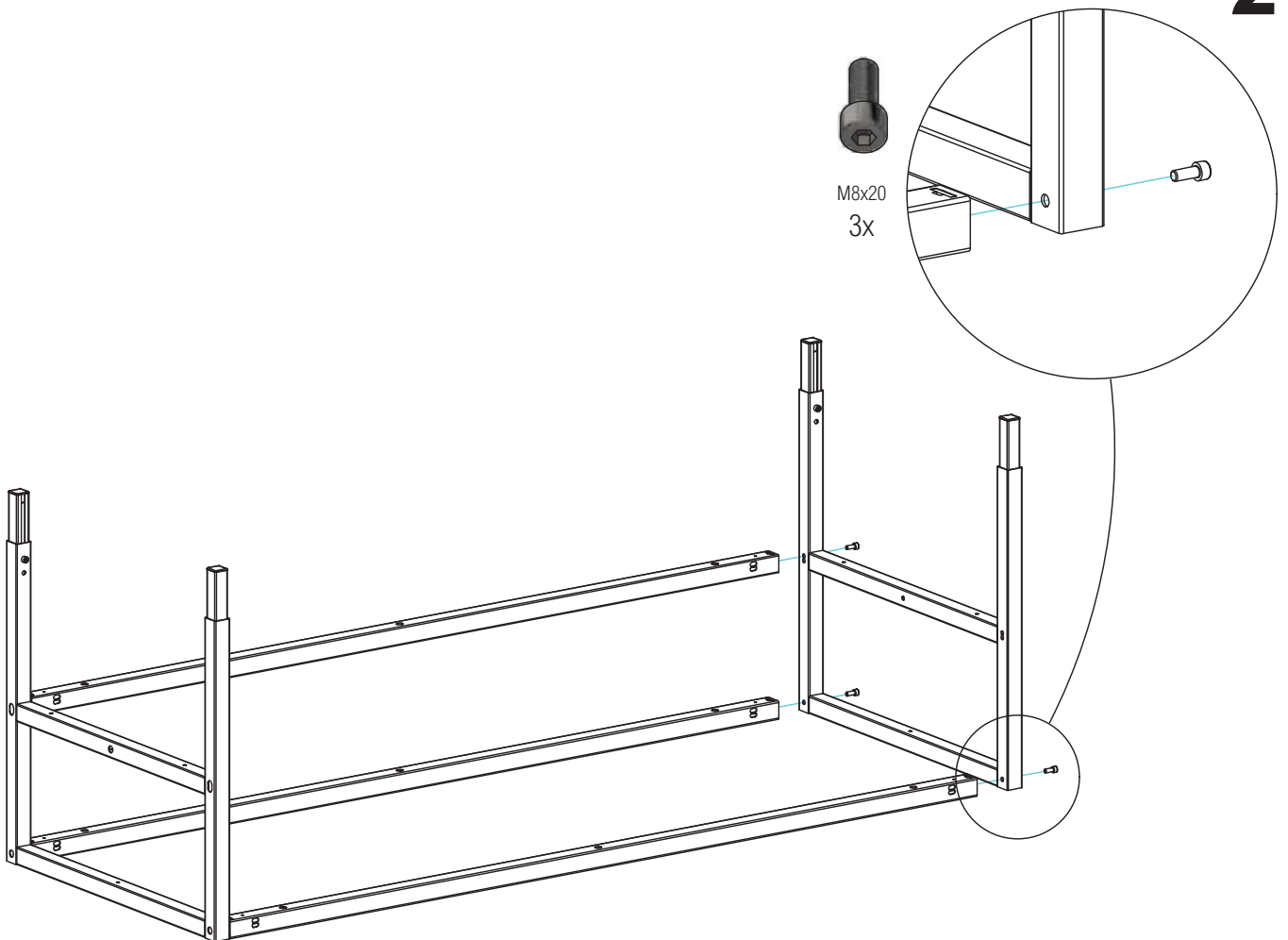
6,0x16  
6x



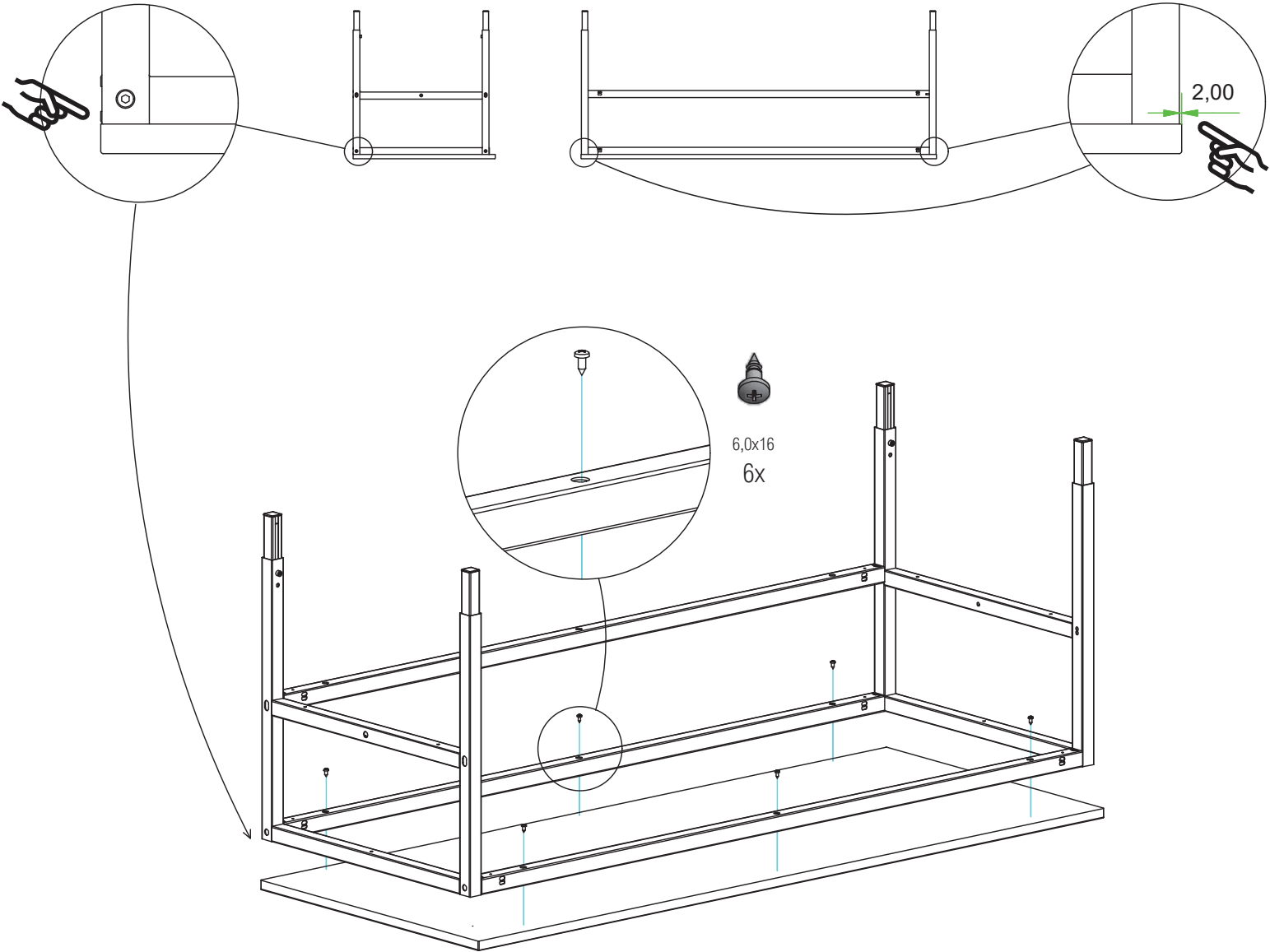
1



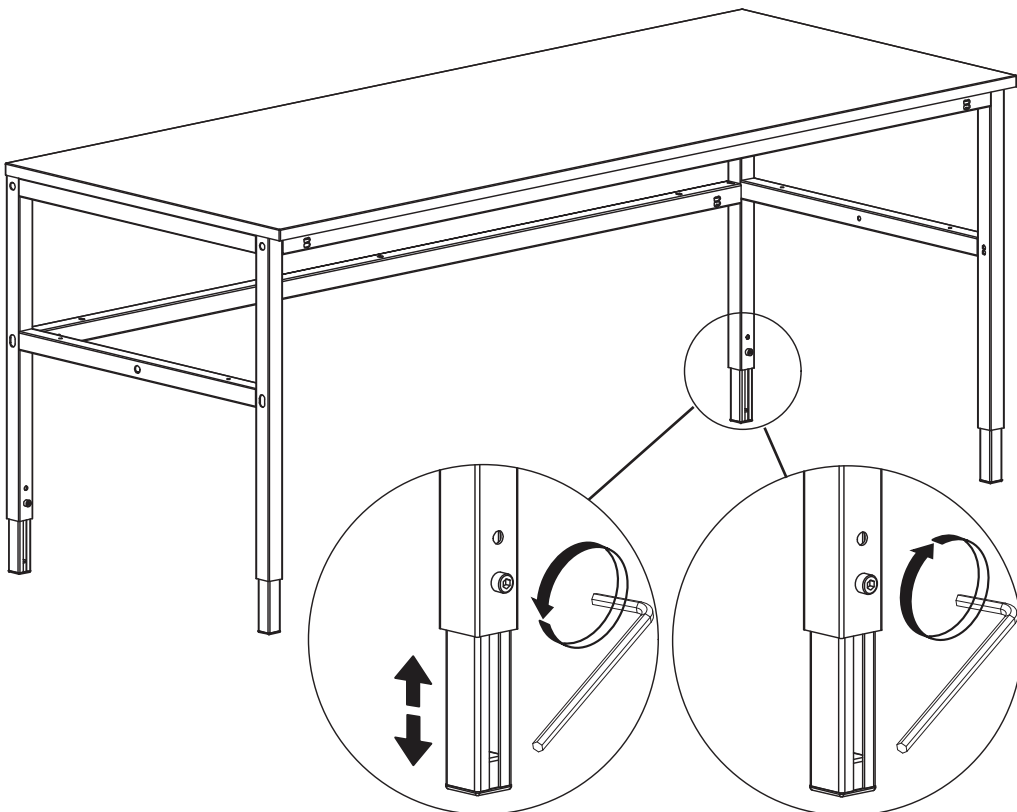
2



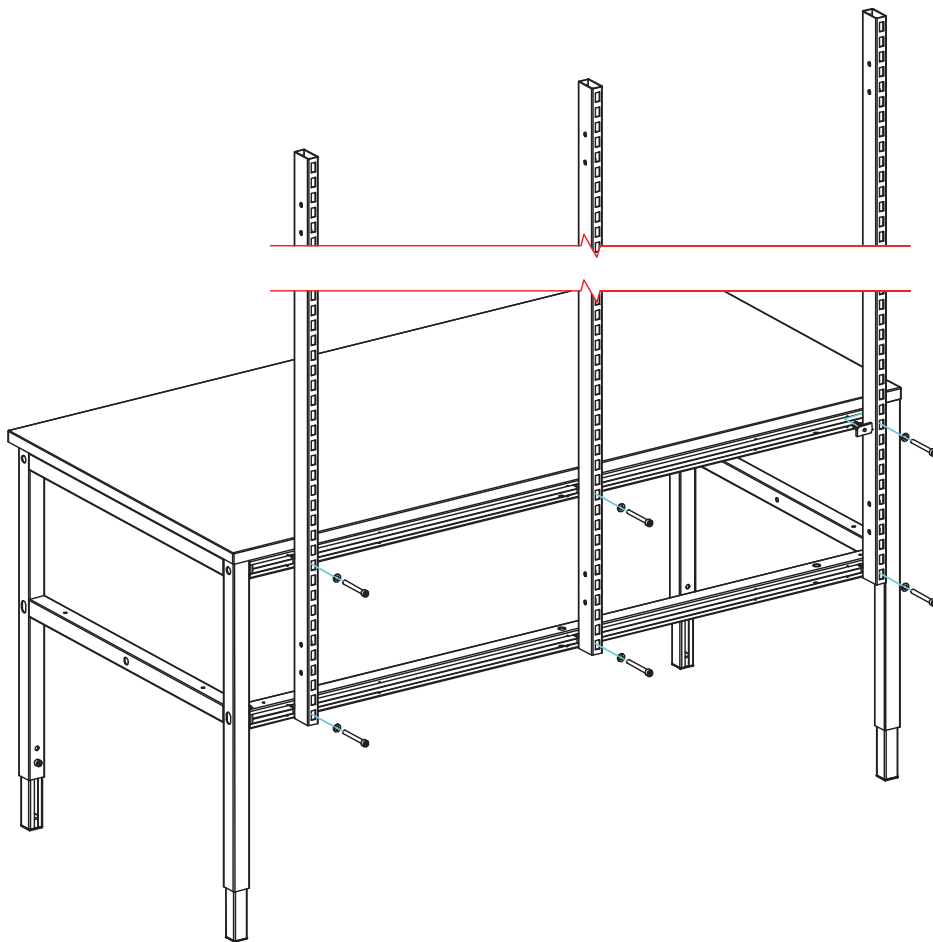
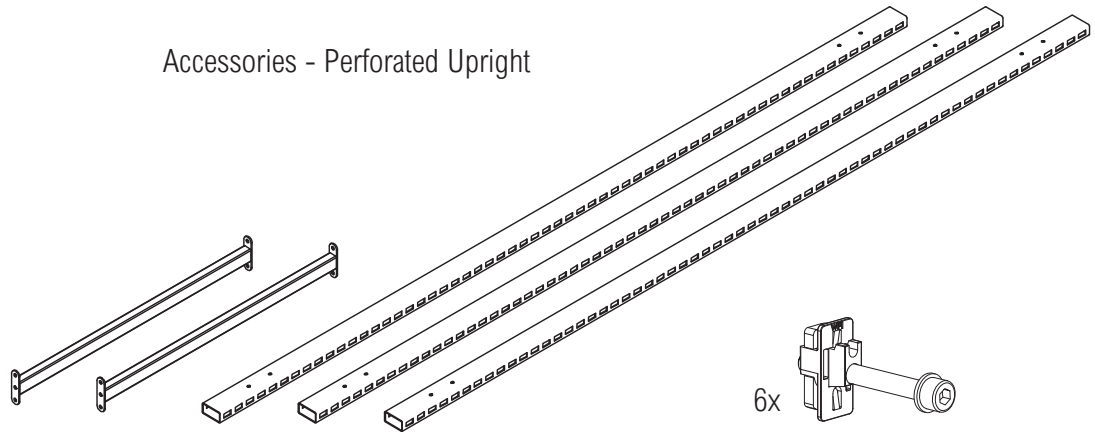
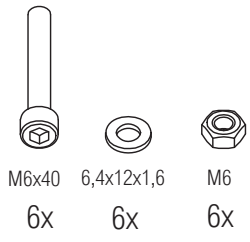
3



4



# Accessories - Perforated Upright

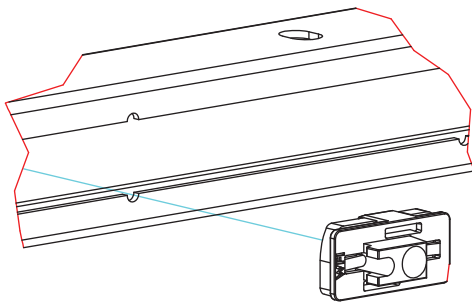


# 3-250-0

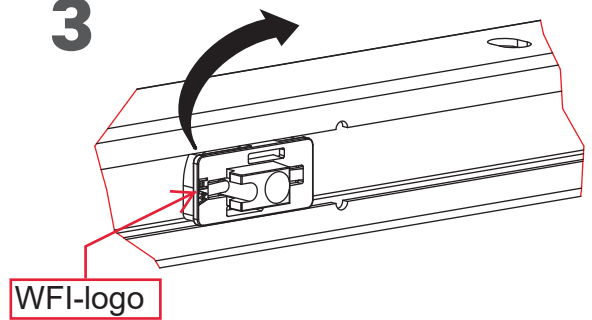
1



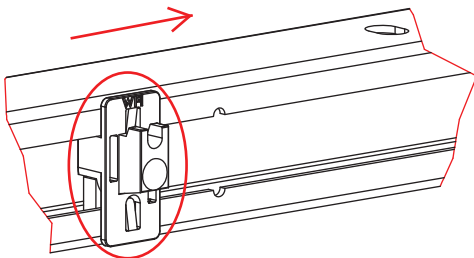
2



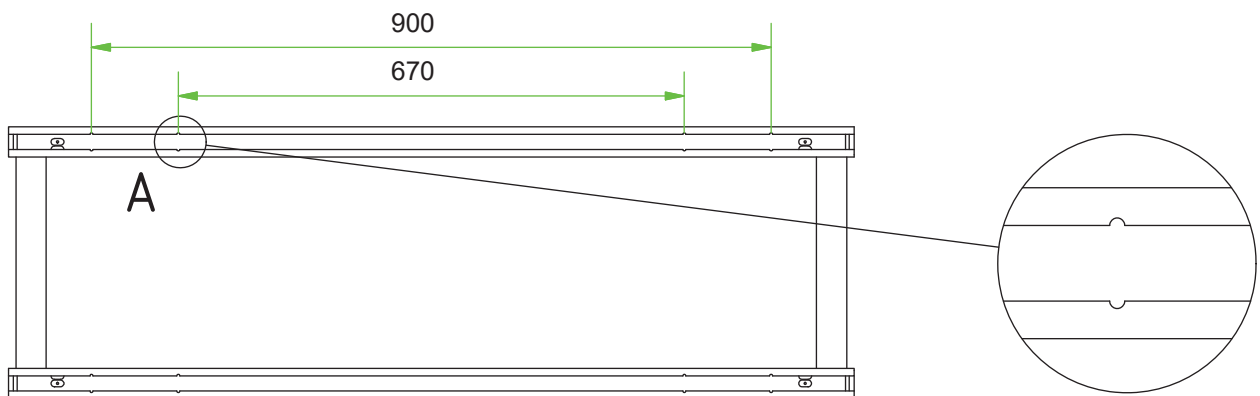
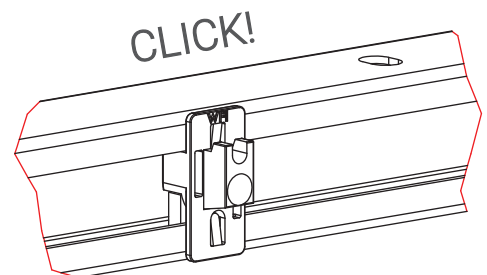
3



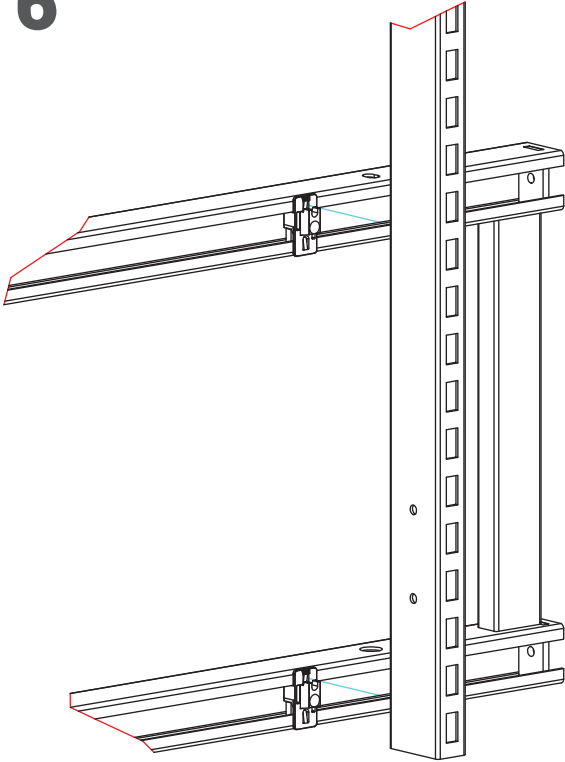
4



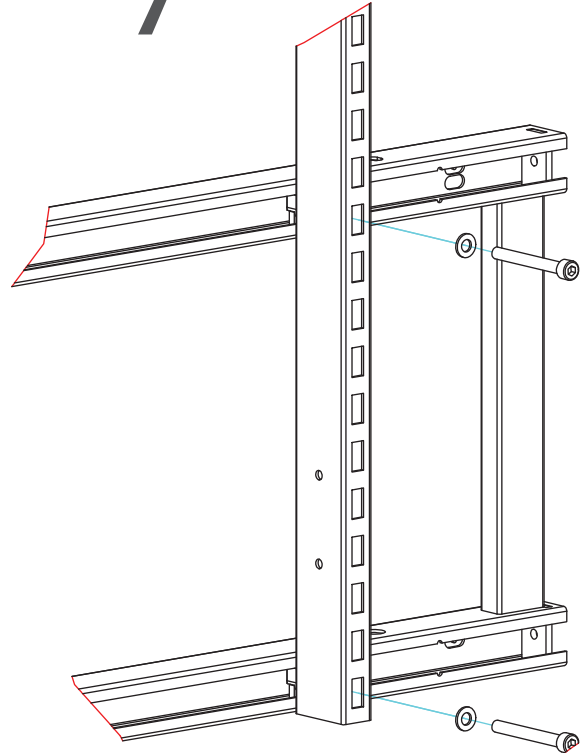
5



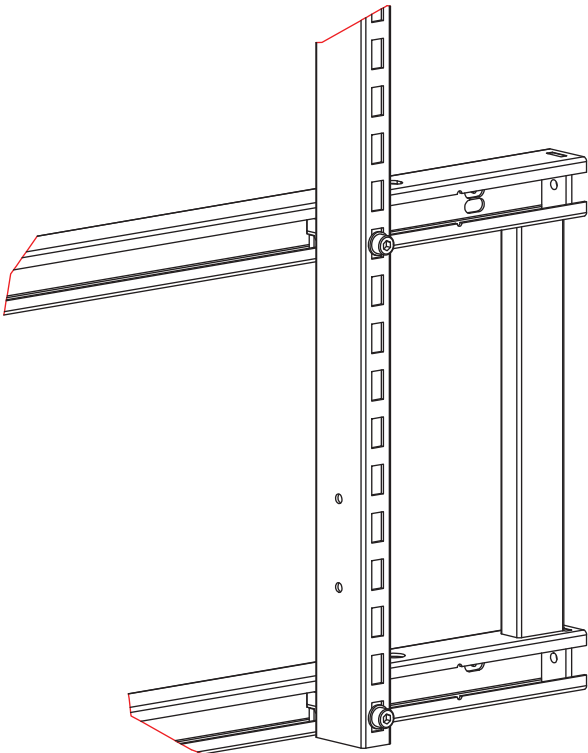
6



7






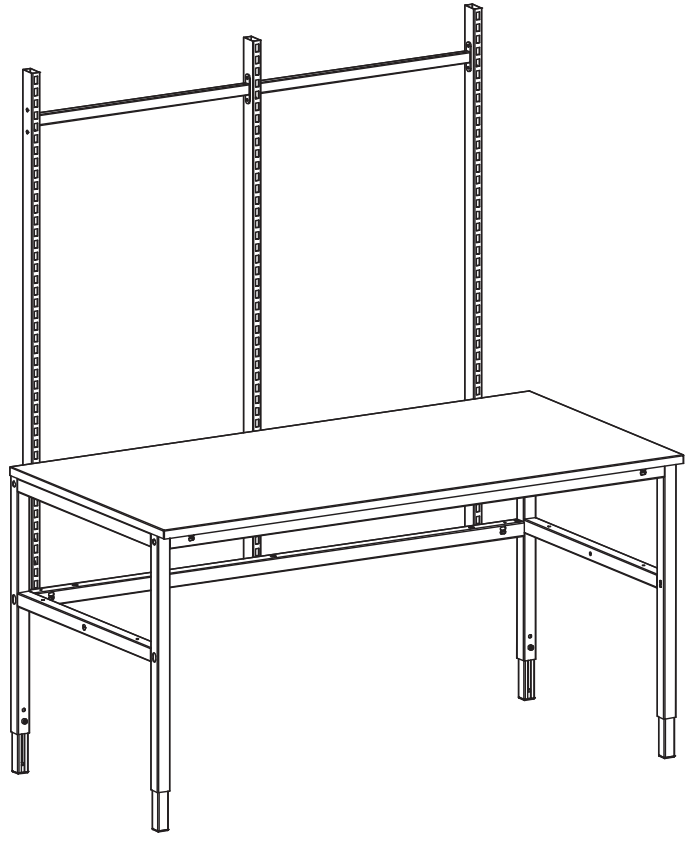
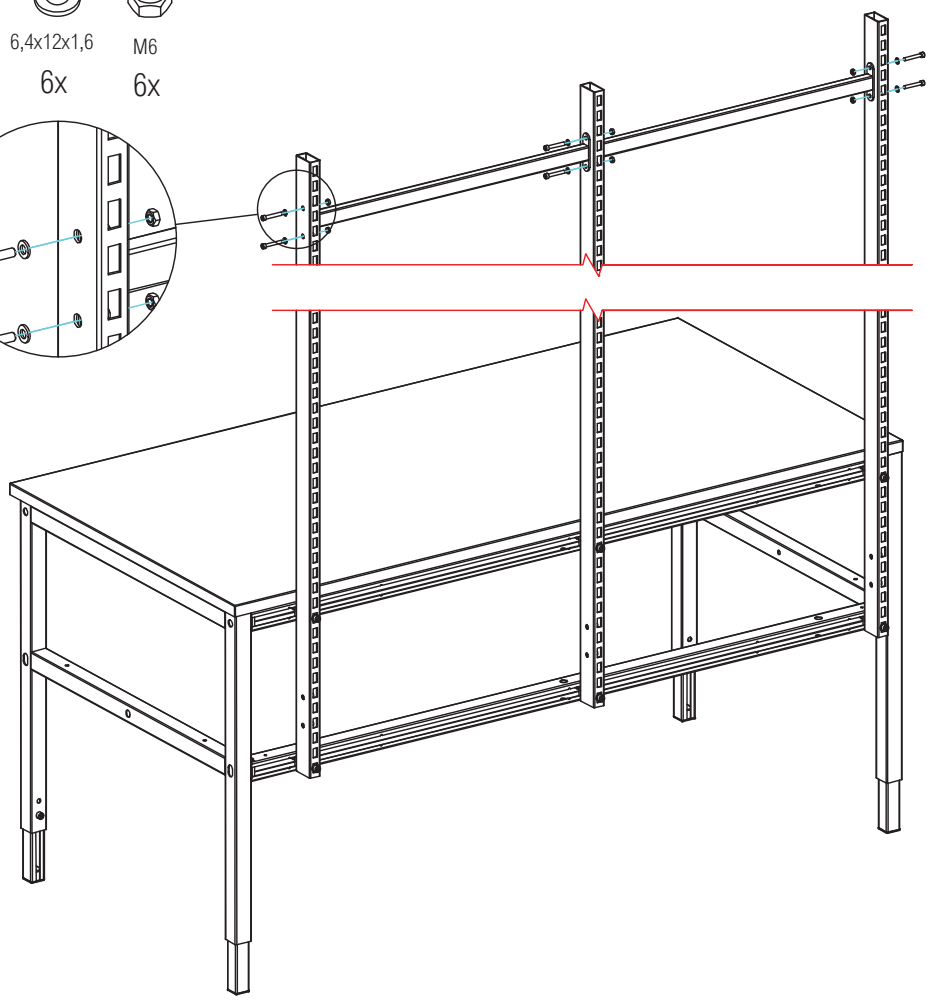
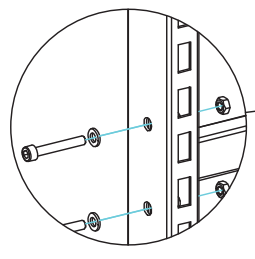
8



**WFI AB**  
Lidängsvägen 5  
335 32 Gnosjö, Sweden  
+46 (0) 370 37 13 00  
[www.wfi.se](http://www.wfi.se)



-  M6x40
  -  6,4x12x1,6
  -  M6
- 6x      6x      6x



Accessories - Extra shelf



4x

